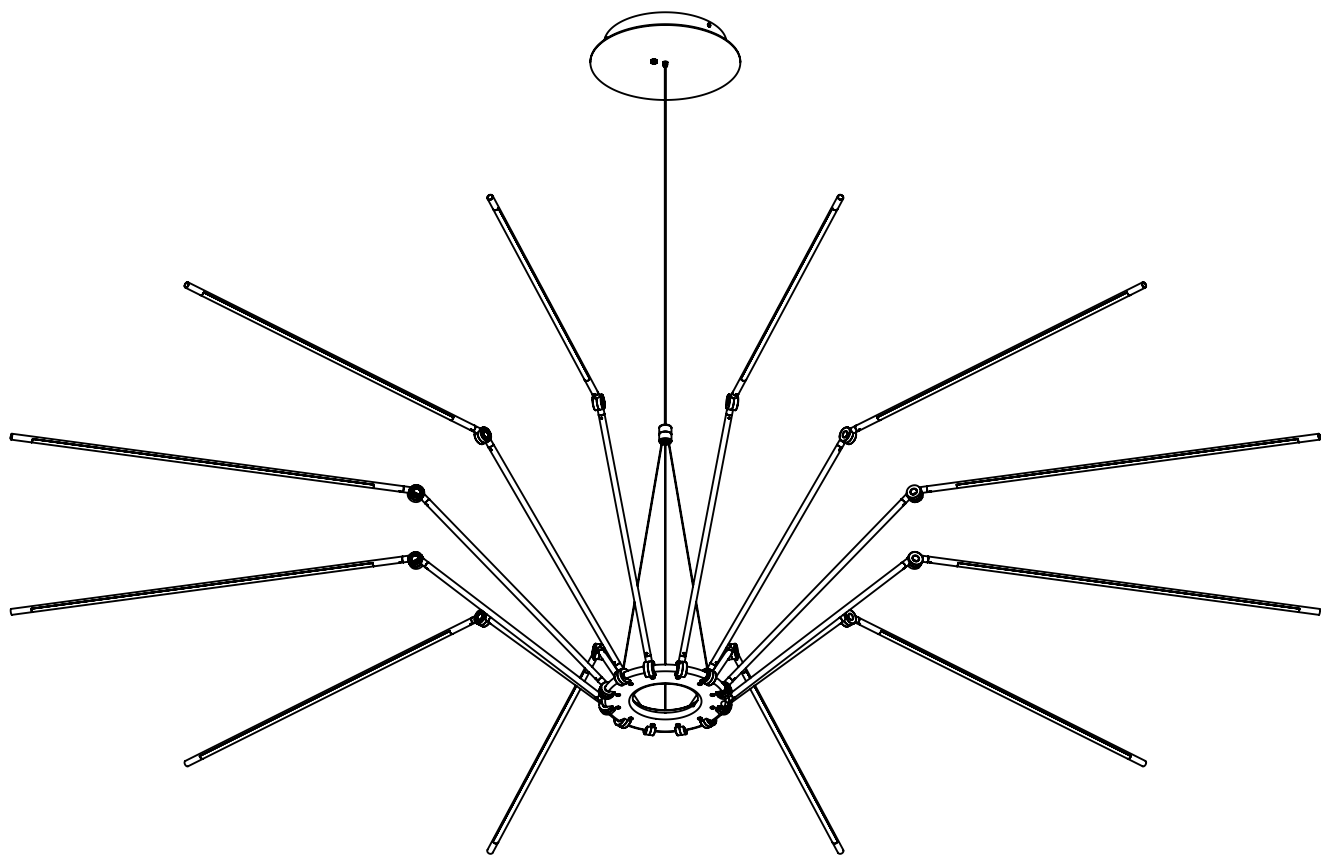


# JUNIPER<sup>®</sup>

## THIN Chandelier

### Install Guide



**WARNING**

**A LICENSED ELECTRICIAN SHOULD PERFORM INSTALLATION. DISCONNECT MAIN POWER AT THE SOURCE PRIOR TO INSTALLATION.**

**INSTRUCTIONS MEANT FOR TWO LOCAL CLASS 2 DRIVERS.**

**DUE TO HEAVY WEIGHT OF THE FIXTURE, EXTRA CAUTION IS REQUIRED WHEN HANDLING.**

**PREFERABLY, TWO PEOPLE SHOULD BE INVOLVED IN THE INSTALLATION OF THE FIXTURE.**

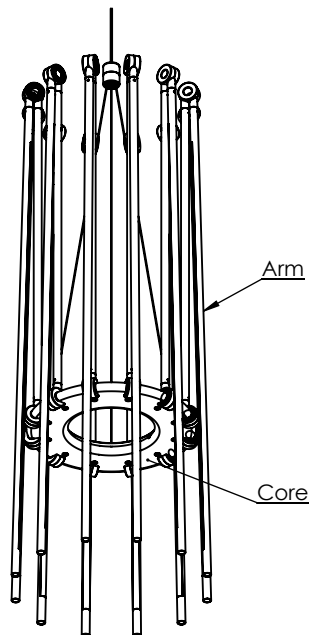


FIGURE 1

**CAUTION**

1. When handling the fixture, *do not* lift it from its arms. Fixture should only be lifted from its core.
2. Fixture should be in closed position throughout the installation process.

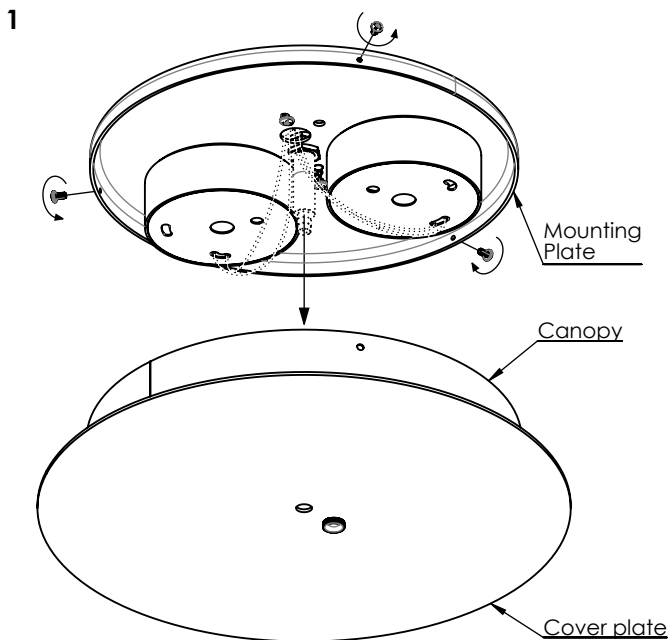


FIGURE 2

Remove screws from the canopy assembly to release the mounting plate. Cover plate can be rotated by loosening the collar screw.

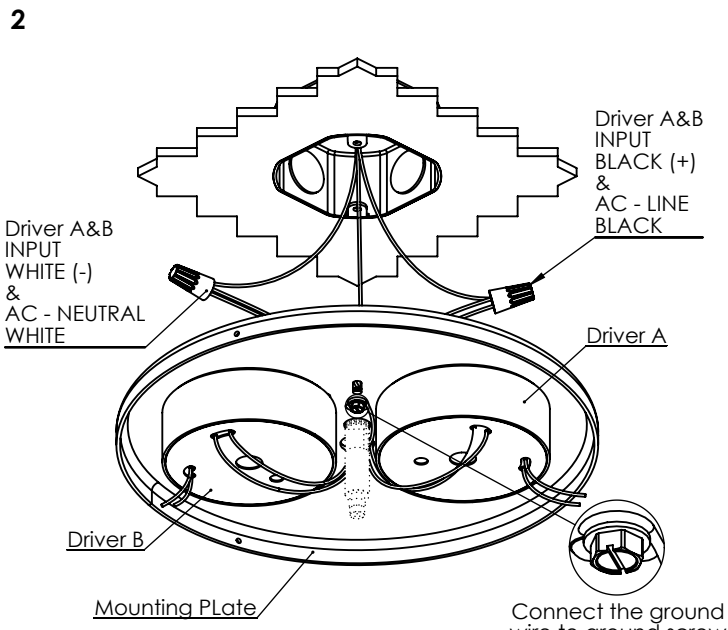


FIGURE 3

Pass the 'AC Input' wires of both drivers through the center hole in the mounting plate and connect with AC wires according to the diagram, using provided orange wire nuts.

**AC wires to the drivers are not provided.**

3

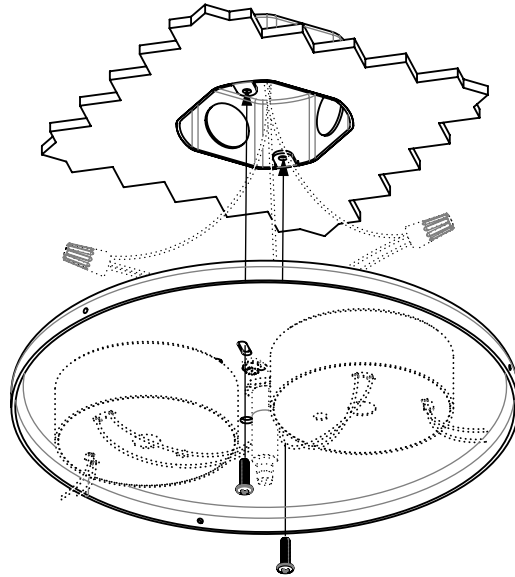


FIGURE 4

Push wires inside the junction box and attach mounting plate with junction box using provided screws.

4

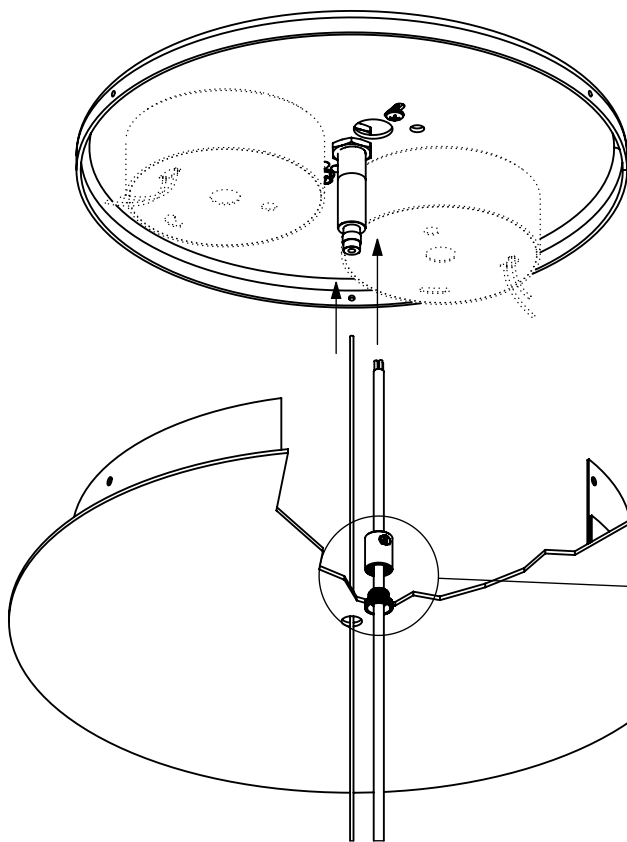
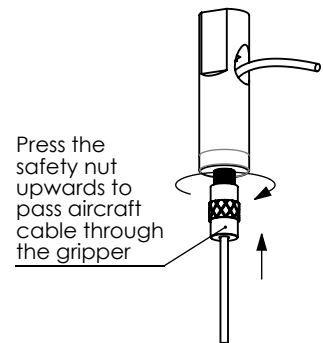


FIGURE 5



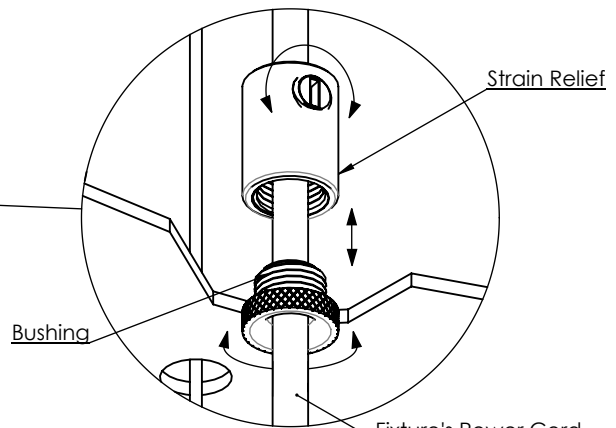
Unscrew Safety Nut

FIGURE 6



Press the safety nut upwards to pass aircraft cable through the gripper

FIGURE 7



Bushing

Strain Relief

Fixture's Power Cord

FIGURE 8

Pass the aircraft cables through the canopy cover. Partly loosen safety nut on cable gripper. Feed aircraft cable through the gripper. Adjust the cable length as needed by pressing the safety nut on the gripper. Tighten safety nut in completely when finished. **Do not cut extra aircraft cable until full fixture is assembled and desired suspension height is achieved.**

Remove the strain relief by unscrewing the bushing. Loosen set screw on the strain relief. Pass the fixture's power cord through the bushing and strain relief. Tighten the set screw, leaving some slack in the power cord. Screw strain relief into the bushing.

5

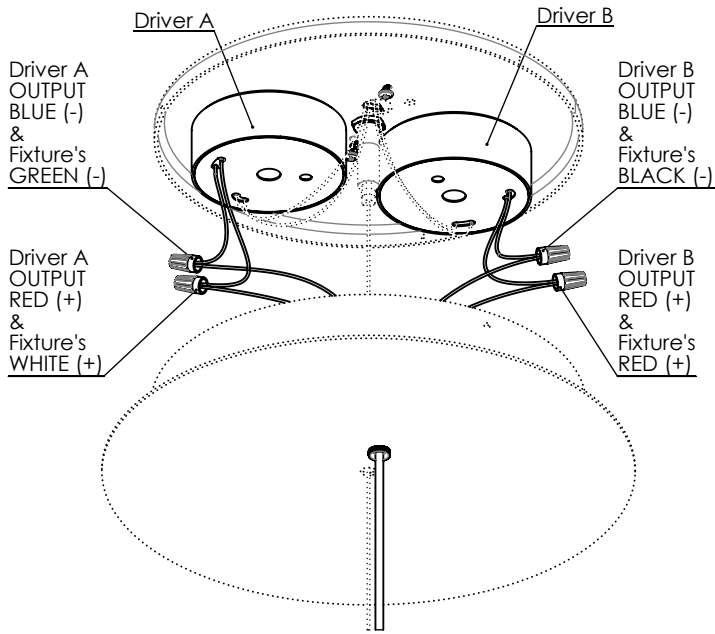


FIGURE 9

Connect wires from fixture to drivers' output according to diagram using provided **blue/grey** wire nuts.

6

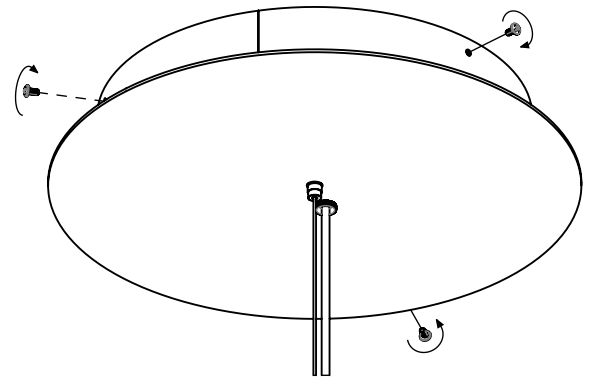
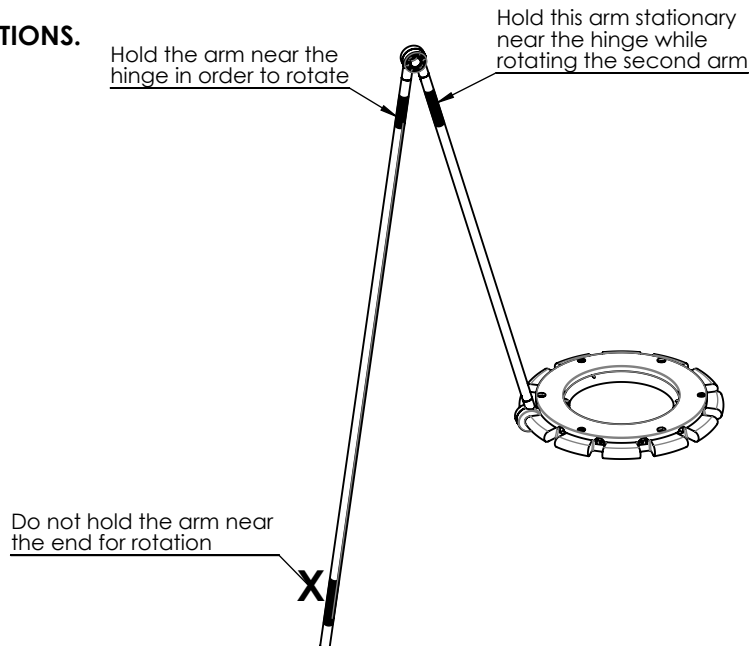


FIGURE 10

With wires inside the canopy cover, fix the canopy cover with the mounting plate using thumb screws removed during the first instruction.

**ADJUSTMENT INSTRUCTIONS.**



**CARE INSTRUCTIONS**

Brass will patina over time like other natural metals and regular care is required in order to retain the quality finish of your thin fixture for years to come.

Gently wipe with a damp cloth to remove dirt, dust, and fingerprints.

Do not use any chemical cleaning solution.

Use indoors only.