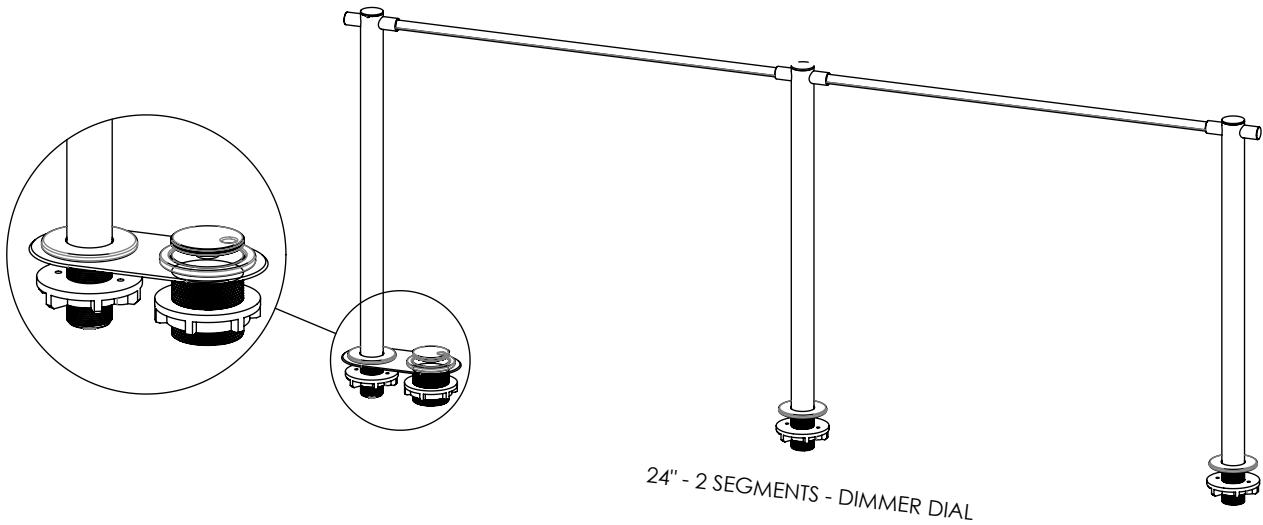
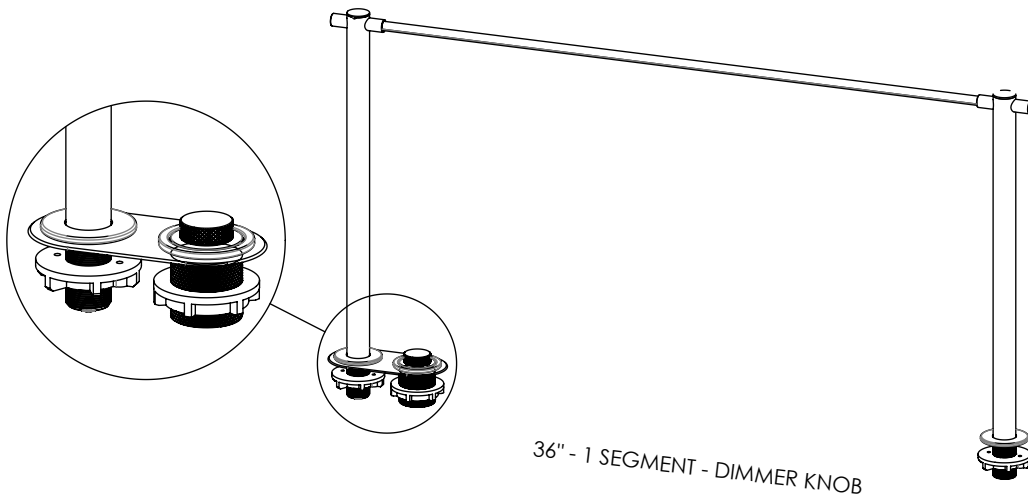
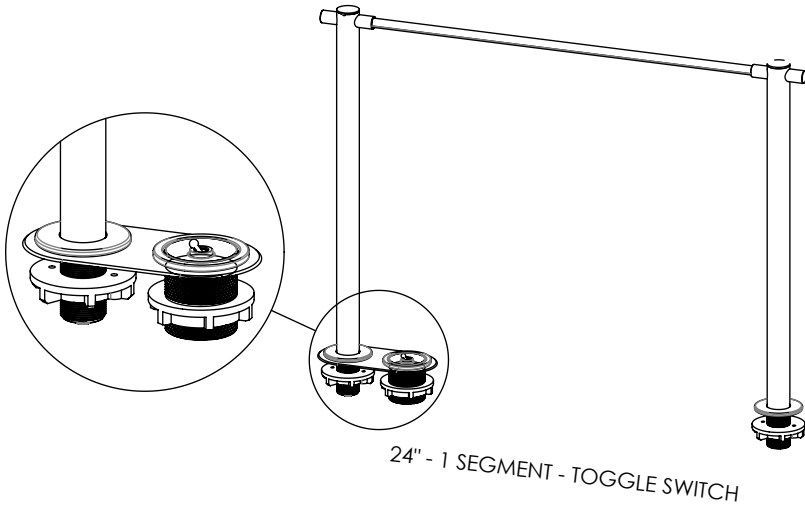


# JUNIPER®

## THIN Shared Task Lamp Installation Guide

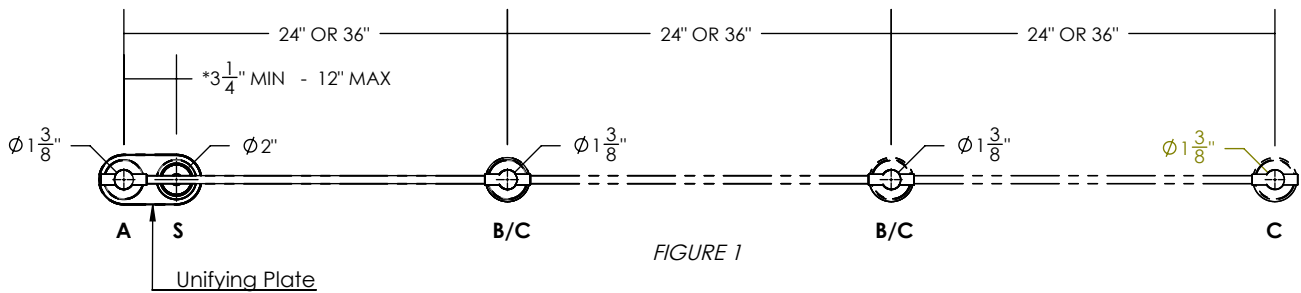


**WARNING**

**TURN OFF MAIN POWER AT THE SOURCE PRIOR TO INSTALLATION.**

**STEP 1: MARK MOUNTING POINTS AND DRILL HOLES**

Carefully mark the mounting points with a pencil or marker, using the spacing in Figure 1. Drill holes in the mounting surface. Diameters of holes to be drilled are shown in Figure 1. **It is highly recommended to use a laser alignment/ measuring tool to ensure that mounting parts are properly distanced and fall on a straight line. Maximum thickness of mounting surface can be 1-3/8".**



**KEY**

- A POWER STANDOFF** MOUNTED AT THE POWERED END OF THE FIXTURE.
- B PASSTHROUGH STANDOFF** USED TO CONNECT SEGMENTS TOGETHER. MOUNTED IN BETWEEN POWER SLEEVES AND END STANDOFFS.
- C END STANDOFF** MOUNTED AT THE NON-POWERED END OF THE FIXTURE.
- S SWITCH/DIMMER** A TOGGLE SWITCH OR DIMMER (KNOB OR DIAL) IS USED TO CONTROL THE FIXTURE.

\* If the switch/dimmer is being installed with optional unifying plate, use the 3 1/4" as the distance between center of power standoff and center of switch/dimmer.

**STEP 2: FIXTURE INSTALLATION**

1

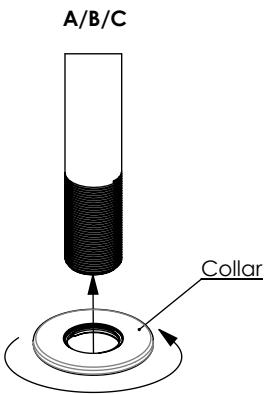


FIGURE 2

Screw collars to all standoffs.

2

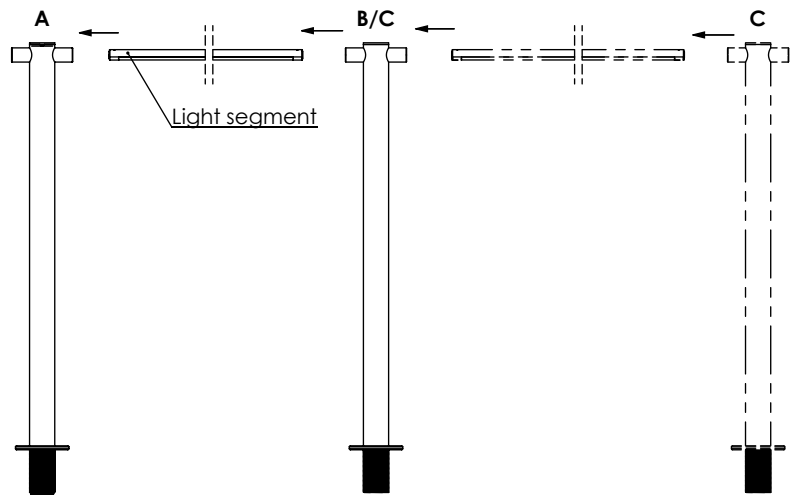


FIGURE 3

Insert the ends of the light segment in the standoffs to make electrical contact.

3

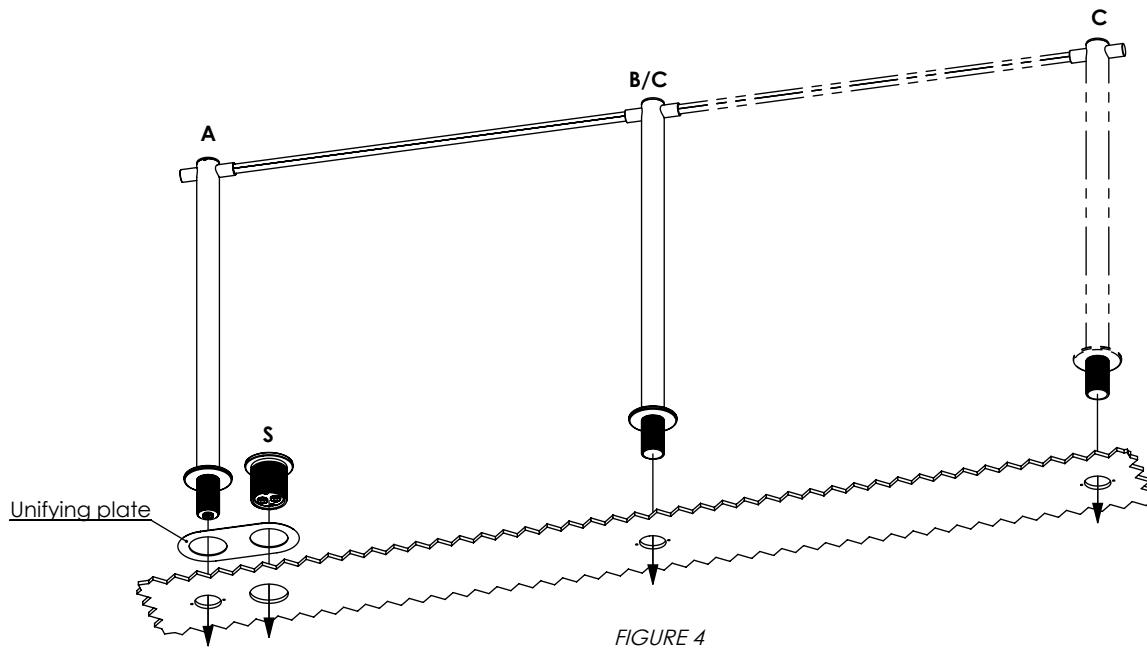


FIGURE 4

Place the light fixture assembly and the switch/dimmer grommet into the allocated holes. Unifying plate is installed under the fixture.

4

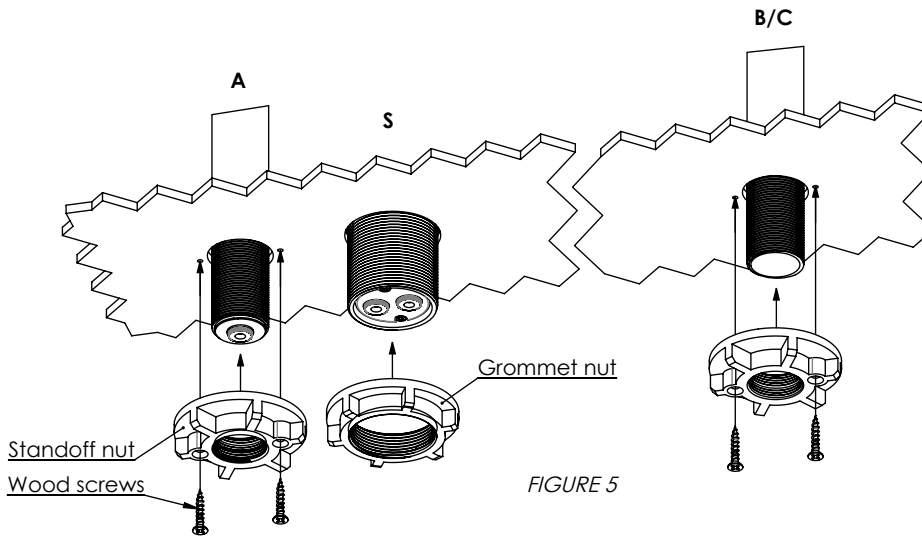


FIGURE 5

Screw the provided plastic nuts on the standoffs and grommet.

*OPTIONAL INSTRUCTION:* Use provided wood screws to secure the standoffs in place. **Do not use provided wood screws if the thickness of mounting surface is less than 1". Use #8 screws shorter than the thickness of mounting surface if needed.**

**STEP 3: ELECTRICAL CONNECTIONS**

1

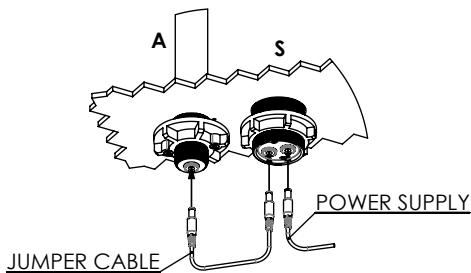


FIGURE 6

Plug in the power supply and jumper cable as shown. When using light fixture without switch/dimmer, power supply can be plugged directly into the power standoff.

2

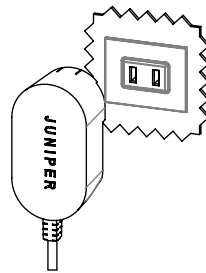


FIGURE 7

Plug the power supply in the wall socket and turn on the power.

**CARE INSTRUCTIONS**

Brass will patina over time like other natural metals and regular care is required in order to retain the quality finish of your THIN fixture for years to come.

Gently wipe with a damp cloth to remove dirt, dust, and fingerprints.

Do not use any chemical cleaning solution.

Use indoors only.