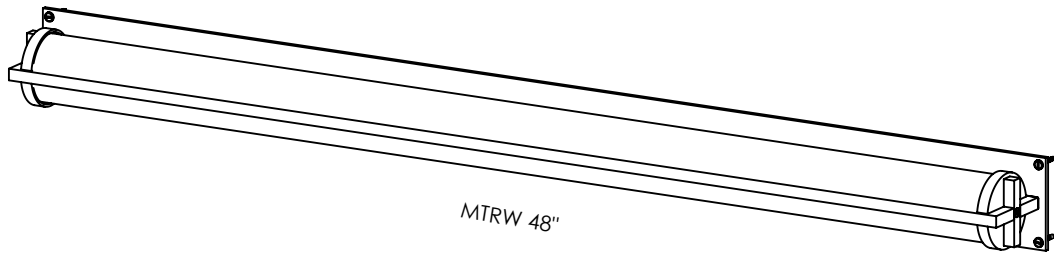
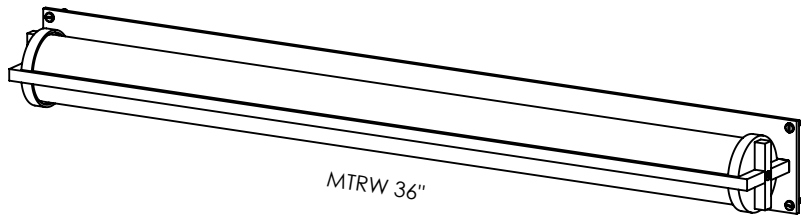
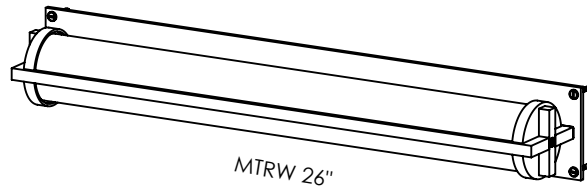


JUNIPER®

Metropolis Wall Sconce Installation Guide



WARNING

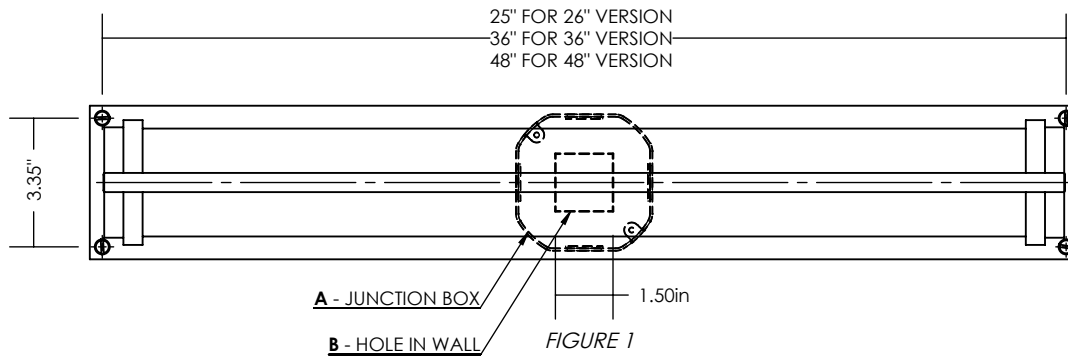
A LICENSED ELECTRICIAN SHOULD PERFORM INSTALLATION. DISCONNECT MAIN POWER AT THE SOURCE PRIOR TO INSTALLATION.

INSTRUCTIONS IN MEANT FOR A REMOTE CLASS 2 DRIVER.

BLOCKING MAY BE REQUIRED FOR DRY WALL MOUNTHING.

STEP 1: MARK MOUNTING POINTS

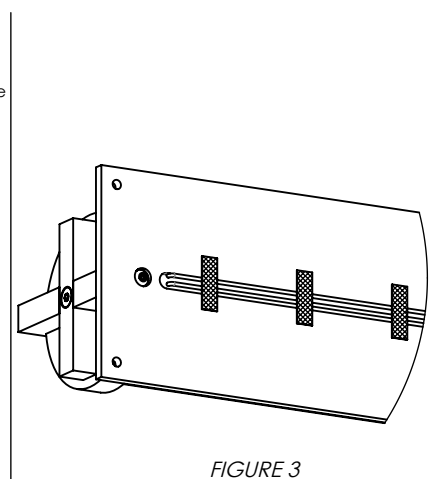
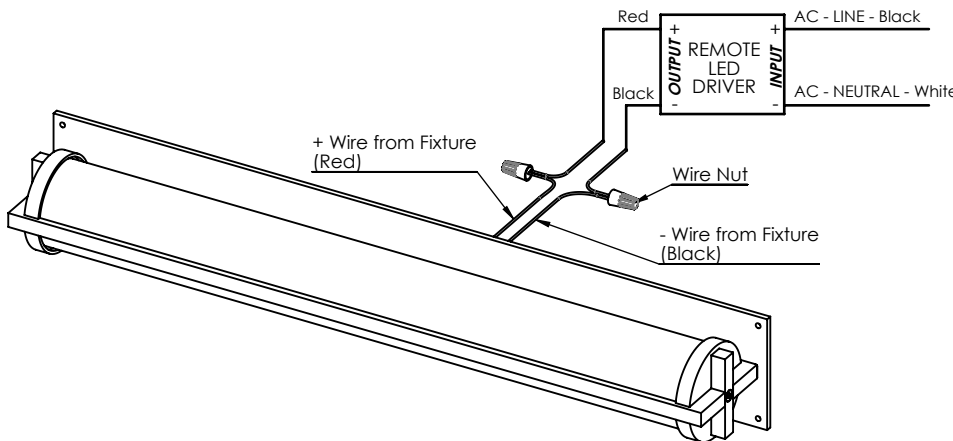
Carefully mark the mounting points with a pencil or marker, using the spacings indicated in Figure 1. **It is highly recommended to use a laser alignment/ measuring tool to ensure that mounted parts are properly distanced.**



A - When mounting the fixture over a junction box, make sure the fixture completely covers the junction box.

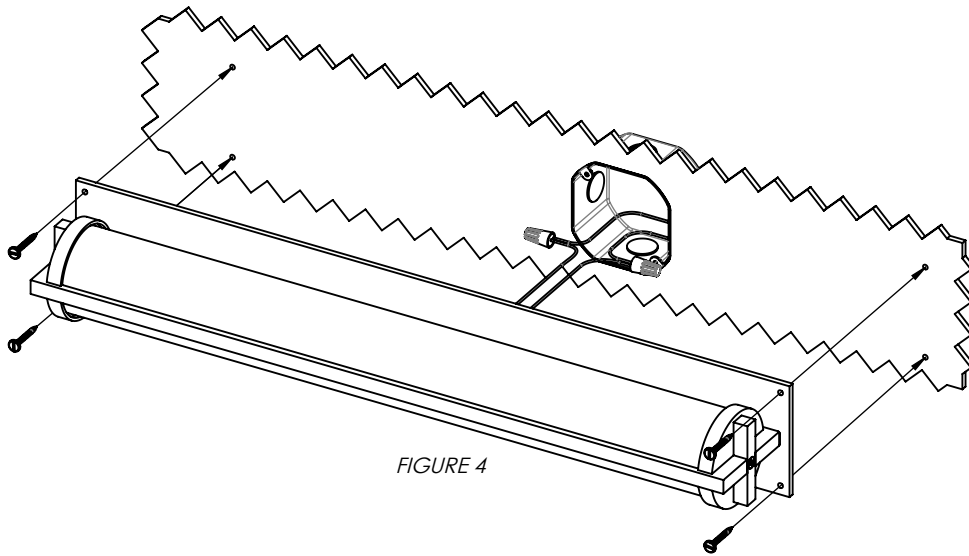
B - When mounting the fixture without a junction box, mark and cut out a 1.5in square hole in the wall to receive the wires for powering and grounding the fixture. Ensure that the hole is centered between the longer sides of the fixture.

STEP 2: WIRING THE FIXTURE

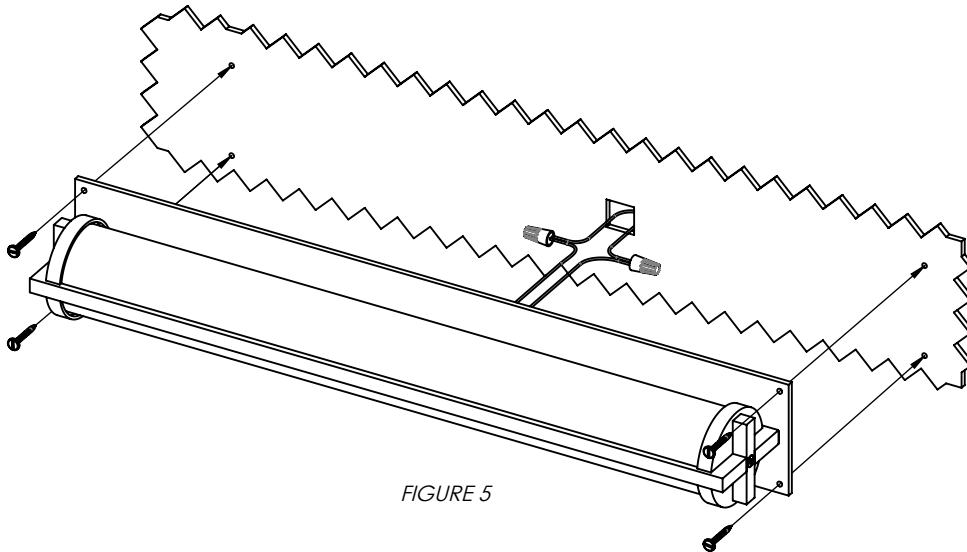


Connect wires according to the diagram shown in FIGURE 2. Tape the loose wire at the back of the fixture as shown in FIGURE 3.

You may require assistance holding the light fixture while making wire connections. Wires to and from the driver are not provided.

STEP 2A: MOUNTING FIXTURE WITH JUNCTION BOX

Push the wires and wire nuts inside the junction box and install the fixture using provided wood screws. **Blocking is recommended for drywall mounting.**

STEP 2B: MOUNTING FIXTURE WITHOUT JUNCTION BOX

Push the wires and wire nuts inside the hole in the wall and install fixture using provided wood screws. **Blocking is recommended for drywall mounting.**

CARE INSTRUCTIONS

Gently wipe with a damp cloth to remove dirt, dust, and fingerprints.

Do not use any chemical cleaning solution.

Use indoors only.