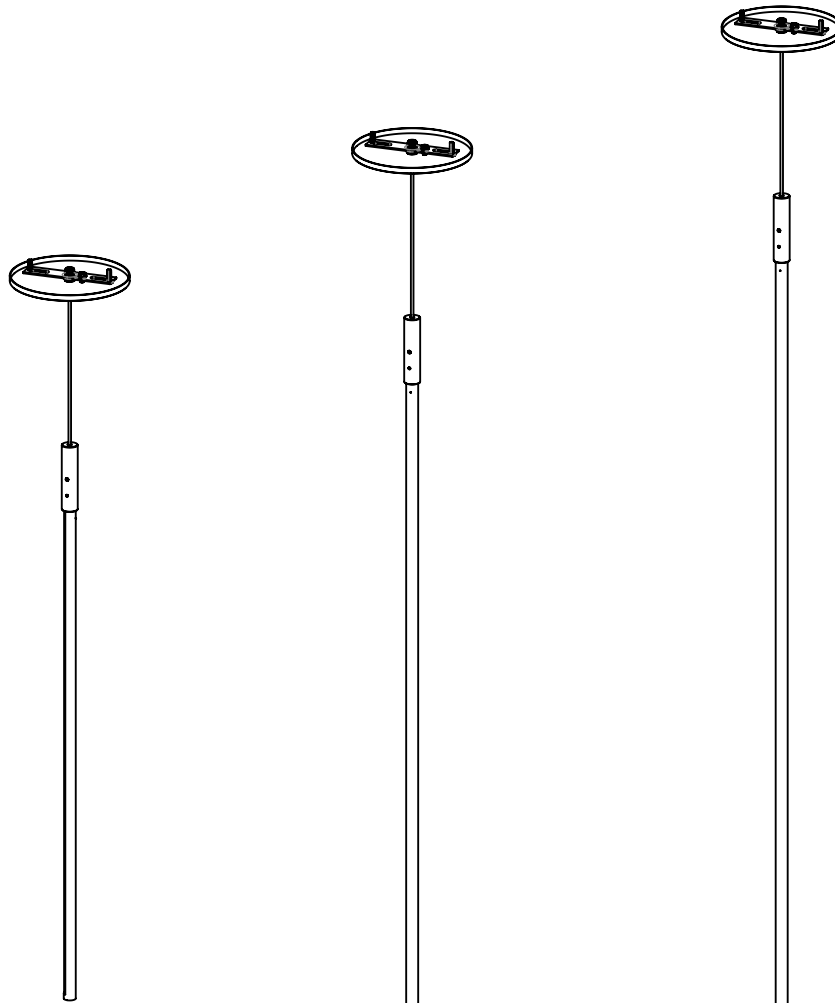


JUNIPER®

THIN Vertical Suspension Remote Installation Guide



24" LIGHT TUBE

36" LIGHT TUBE

48" LIGHT TUBE

WARNING

A LICENSED ELECTRICIAN SHOULD PERFORM INSTALLATION. DISCONNECT MAIN POWER AT THE SOURCE PRIOR TO INSTALLATION.

INSTRUCTIONS MEANT FOR A REMOTE CLASS 2 DRIVER.

POWER FEED OPTIONS

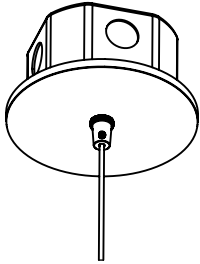


FIGURE 1

CANOPY PLATE

FOR FIXTURES WIRED TO A JUNCTION BOX.

SEE **STEP 1A** FOR DETAILED INSTALLATION AND WIRING INFORMATION.

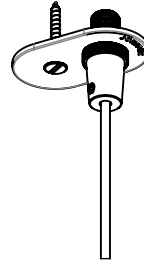


FIGURE 2

MINI MOUNTING PLATE

FOR FIXTURE MOUNTED DIRECTLY TO THE CEILING.

SEE **STEP 1B** FOR DETAILED INSTALLATION AND WIRING INFORMATION.

BLOCKING IS REQUIRED FOR DRYWALL MOUNTING.

STEP 1A: JUNCTION BOX COVER PLATE INSTALLATION INSTRUCTIONS

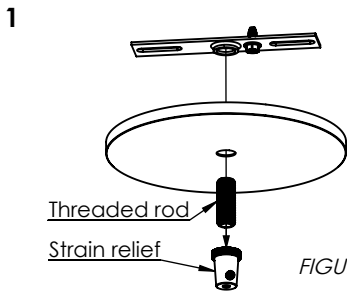


FIGURE 3

Remove strain relief and threaded rod from the canopy cover to release the crossbar.

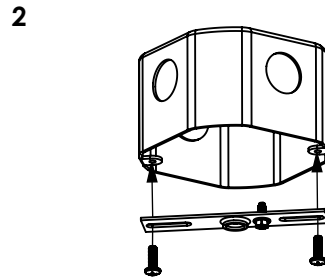


FIGURE 4

Attach the crossbar to the junction box using provided screws.

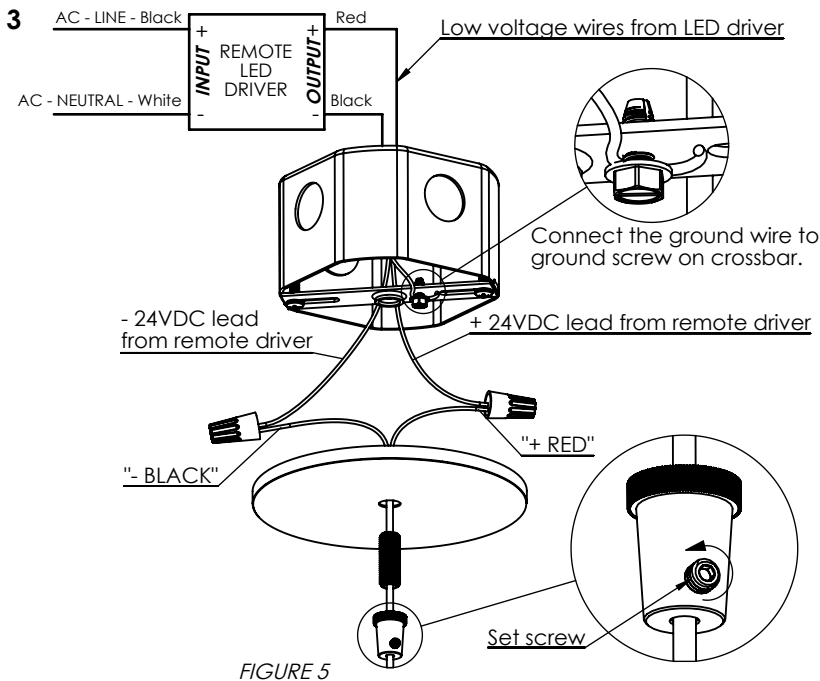


FIGURE 5

Loosen the set screw on the strain relief. Pass power cable, through threaded rod and strain relief as shown. Connect wires according to diagram (wire nuts provided). **Wires to and from the driver are not included.**

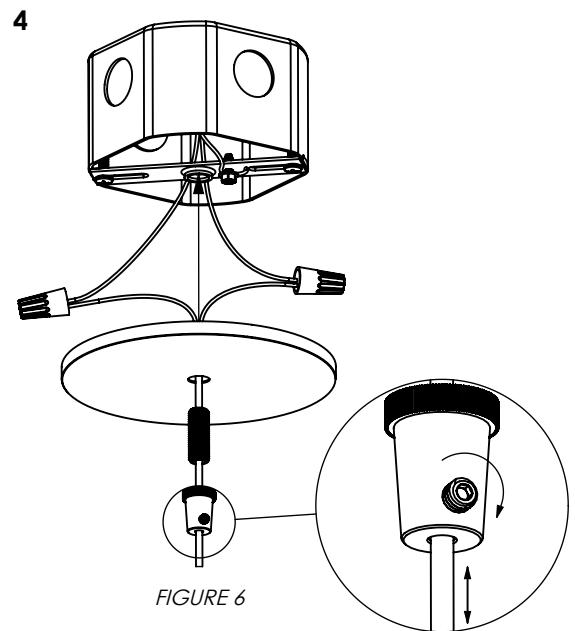
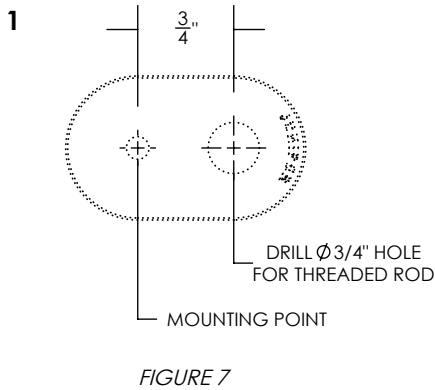


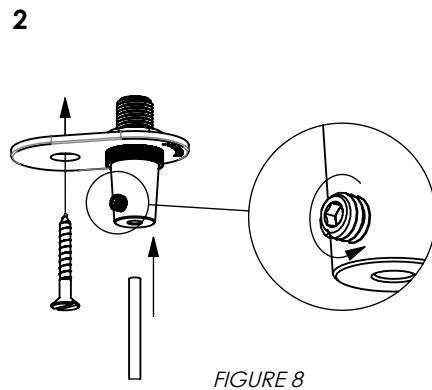
FIGURE 6

Push wires inside the junction box and screw threaded rod and strain relief into crossbar to attach canopy plate to junction box. **Length of power cord should be adjusted for desired suspension height. Tighten the screw on the strain relief after adjustment.**

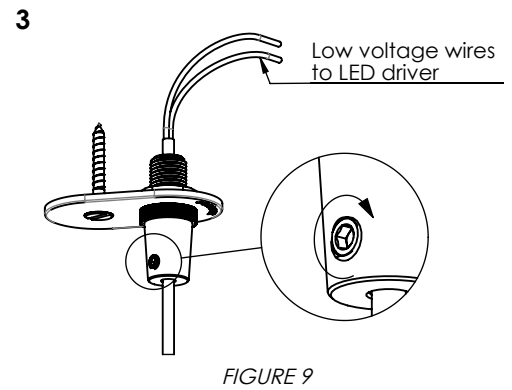
STEP 1B: MINI MOUNTING PLATE INSTALLATION INSTRUCTIONS



Drill hole for threaded rod according to diagram.



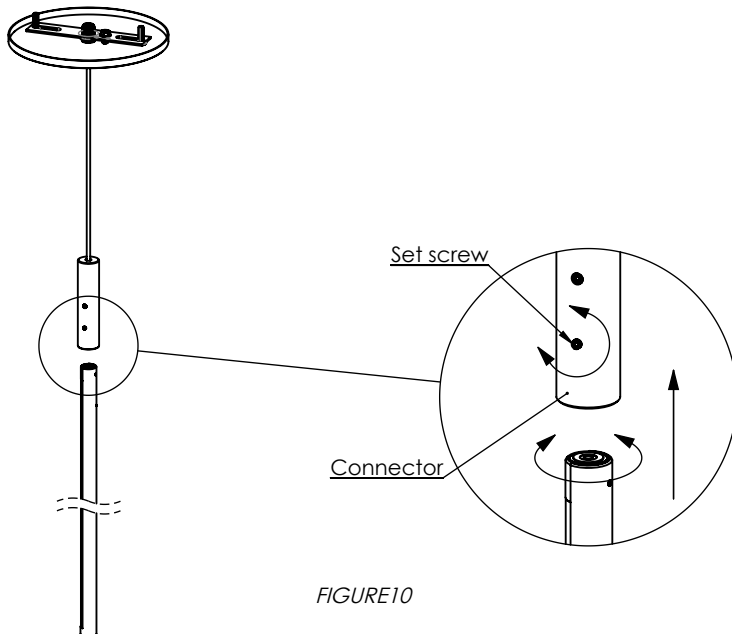
Install using provided screws according to diagram. Loosen the set screw on the strain relief and pass the power cord through the strain relief.
Blocking is required for drywall mounting.



Connect to electrician-provided 18AWG in-wall rated cable (recommended).
Tighten the set screw on strain relief after adjusting fixture height.

STEP 2: LIGHT TUBE INSTALLATIONS

The THIN Suspension fixture is designed with an innovative magnetic connection. Simply insert the light tube into the connector for electrical contact to be made.



- a. Loosen the set screw on the connectors as shown
- b. Reconnect main power and insert light tube into the connector. Push light tube in carefully until it illuminates.
- c. Rotate the light tube to change the direction of the light.
- d. Tighten the set screw on the connector.

CARE INSTRUCTIONS

Brass will patina over time like other natural metals and regular care is required in order to retain the quality finish of your THIN fixture for years to come.

Gently wipe with a damp cloth to remove dirt, dust, and fingerprints.

Do not use any chemical cleaning solution.

Use indoors only.