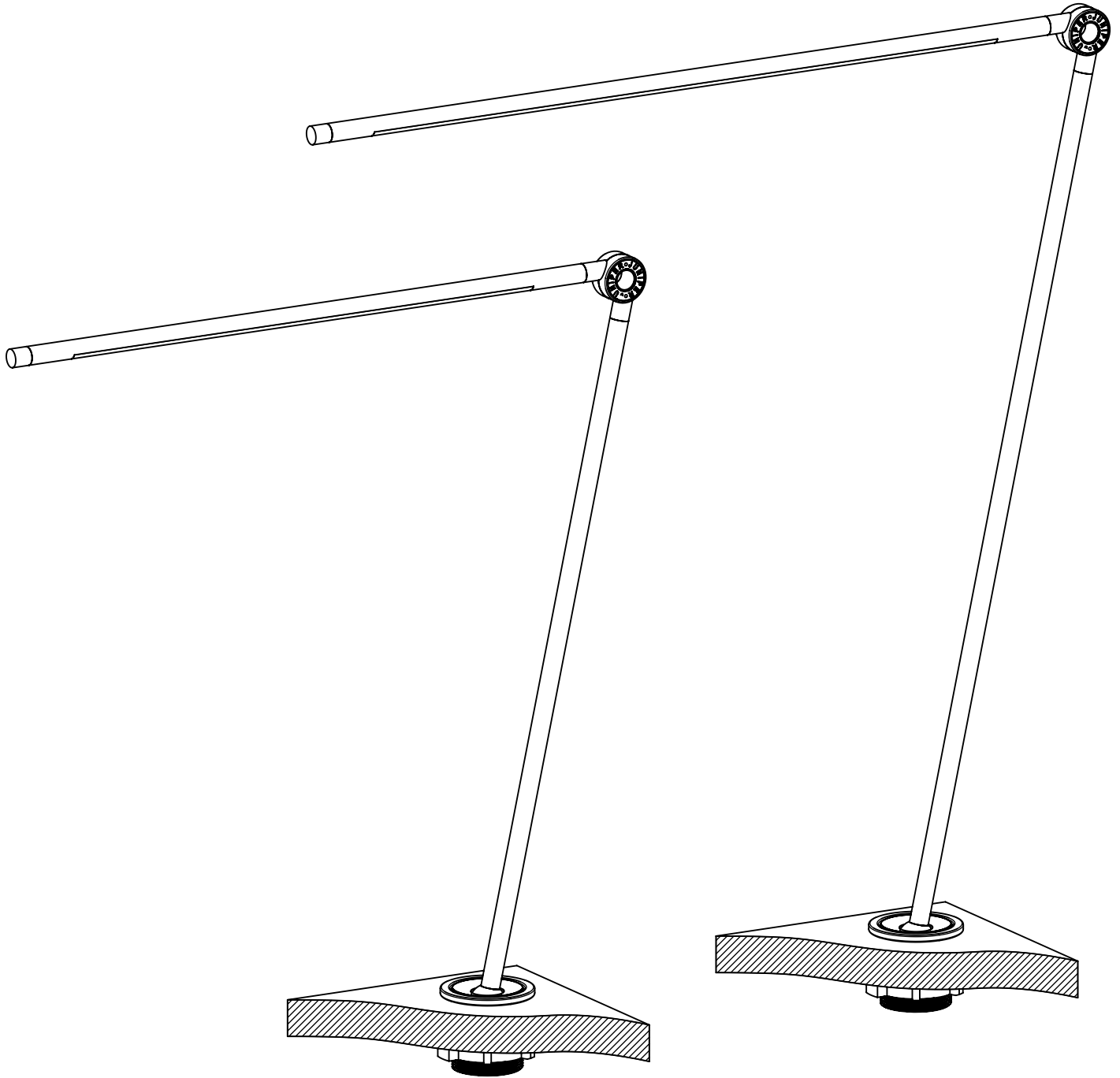


JUNIPER® THIN Desk Inset Installation Guide



THIN SMALL Desk Inset

THIN TALL Desk Inset

1

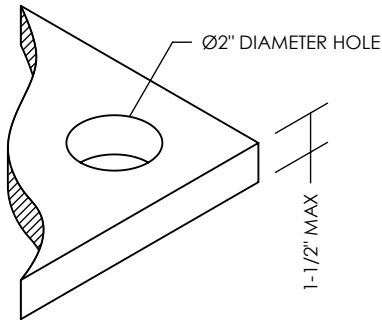


FIGURE 1

Drill a Ø2" diameter through hole in the mounting surface. **Thickness of the mounting surface should not exceed 1-1/2".**

2

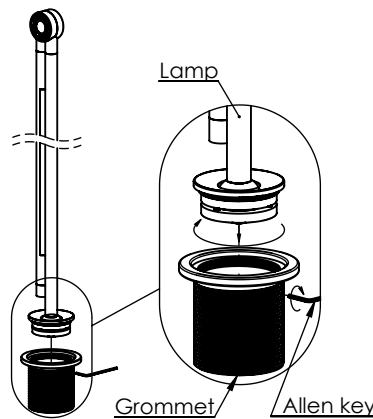


FIGURE 2

Screw the lamp into the grommet and use the provided Allen key to tighten the set screw and secure the lamp to the grommet. **Throughout the installation process, keep the lamp in a closed position as depicted above.**

3

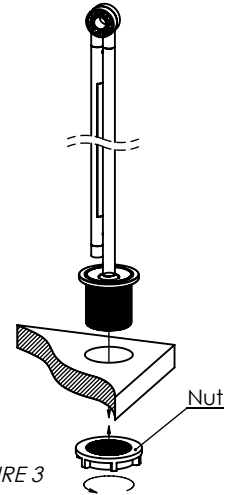


FIGURE 3

Place the assembled fixture in the hole and use the provided nut to secure the fixture.

4

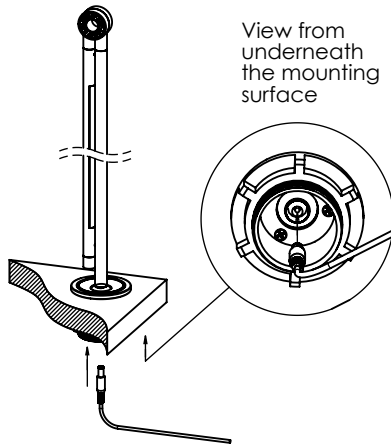


FIGURE 4

Insert the DC jack into the plug located at bottom of the fixture.

USING AND ADJUSTING THE LAMP

5

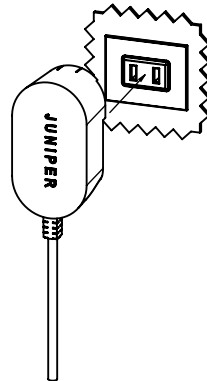


FIGURE 5

Plug the provided adapter in the wall socket to power the fixture.

POWERING THE LAMP

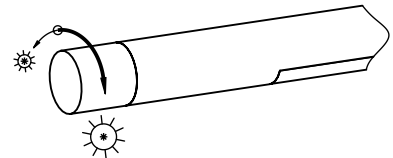


FIGURE 6

The knob at the tip of the lamp acts as a switch and dimmer. **Turn clockwise** to switch the lamp 'ON' and to change intensity of light from low to high.

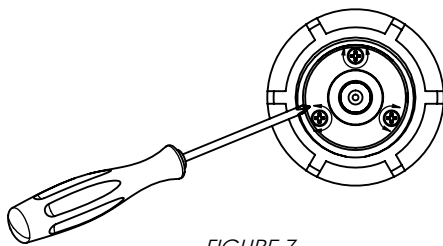


FIGURE 7

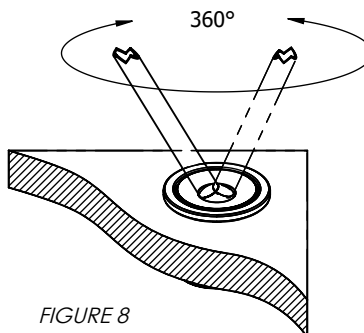


FIGURE 8

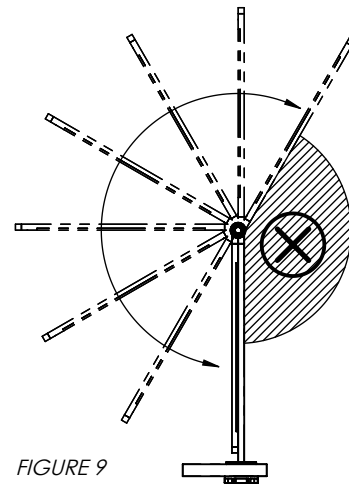


FIGURE 9

The lamp pivots around its central hinge and also rotates on its ball joint at the base of the lamp. **Be cautious not to force the lamp outside of its usable range.** The tension of the ball joint can be adjusted by tightening or loosening the three screws on the bottom of the lamp as shown in figure 7.