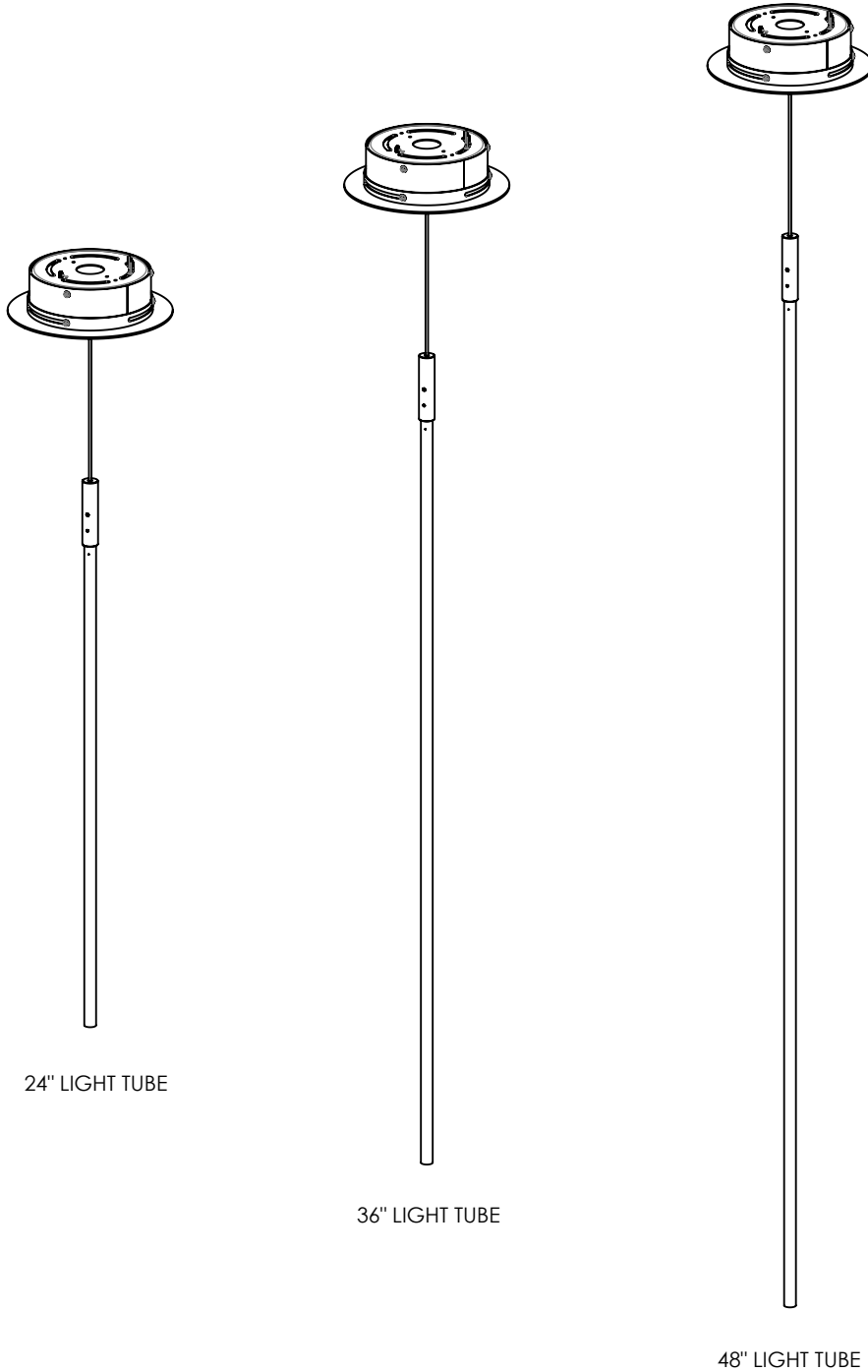


JUNIPER®

THIN Vertical Local Installation Guide



24" LIGHT TUBE

36" LIGHT TUBE

48" LIGHT TUBE

WARNING

A LICENSED ELECTRICIAN SHOULD PERFORM INSTALLATION. DISCONNECT MAIN POWER AT THE SOURCE PRIOR TO INSTALLATION.

INSTRUCTIONS MEANT FOR A LOCAL CLASS 2 DRIVER.

STEP 1: JUNCTION BOX COVER PLATE INSTALLATION INSTRUCTIONS

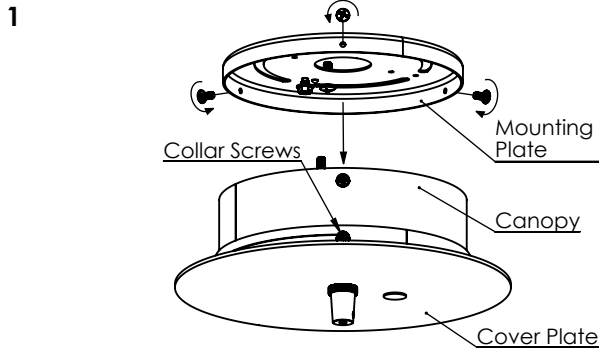


FIGURE 1

Remove Screws from the canopy assembly to release the mounting plate. Cover plate can be rotated by loosening the collar screw.

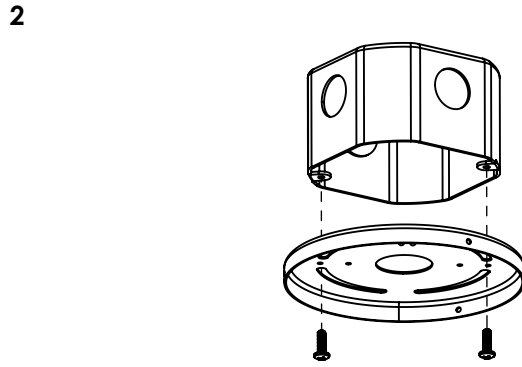


FIGURE 2

Attach the mounting plate to the Junction box using provided screws.

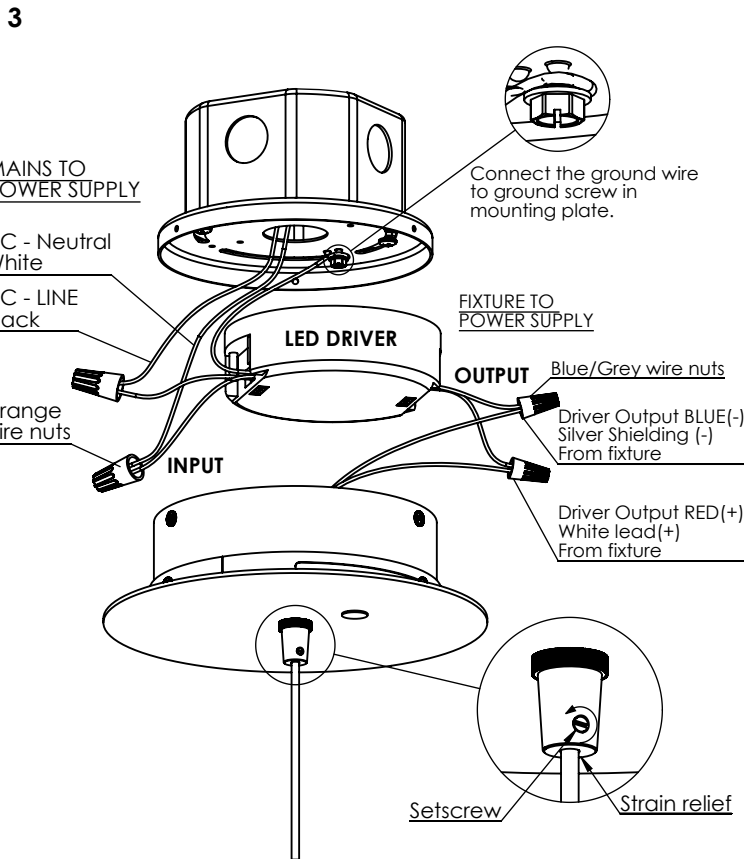


FIGURE 3

Loosen the set screw on the strain relief. Pass power cable through the strain relief as shown. Connect wires according to diagram (wires nuts provided). **Length of power cord should be adjusted for desired suspension height. AC wires to driver are not provided. Tighten the setscrew on strain relief after adjustment.**

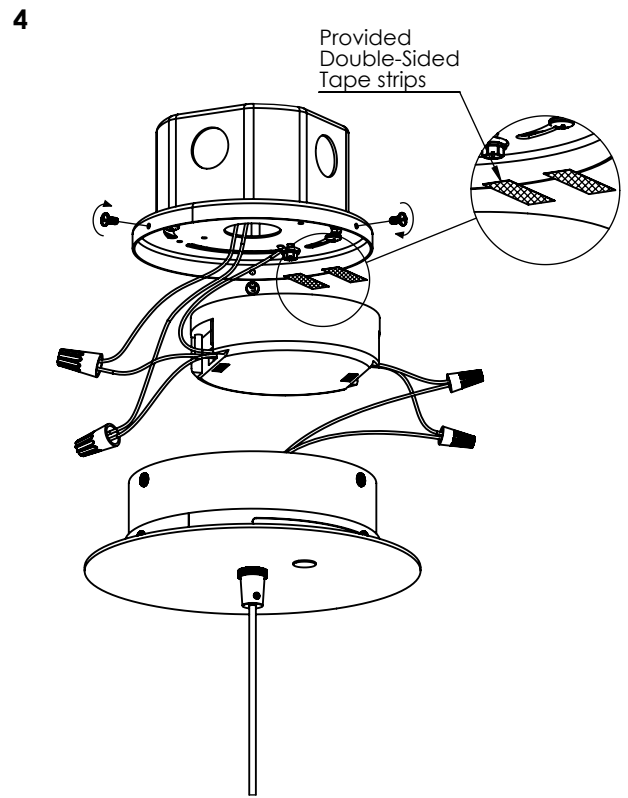


FIGURE 4

A. Attach LED Driver to mounting plate using provided double-sided tape strips.
 B. Place wires inside canopy and attach the canopy to mounting plate using screws removed during first instruction.

STEP 2: LIGHT TUBE INSTALLATIONS

The THIN Suspension fixture is designed with an innovative magnetic connection. Simply insert the light tube into the connector for electrical contact to be made.

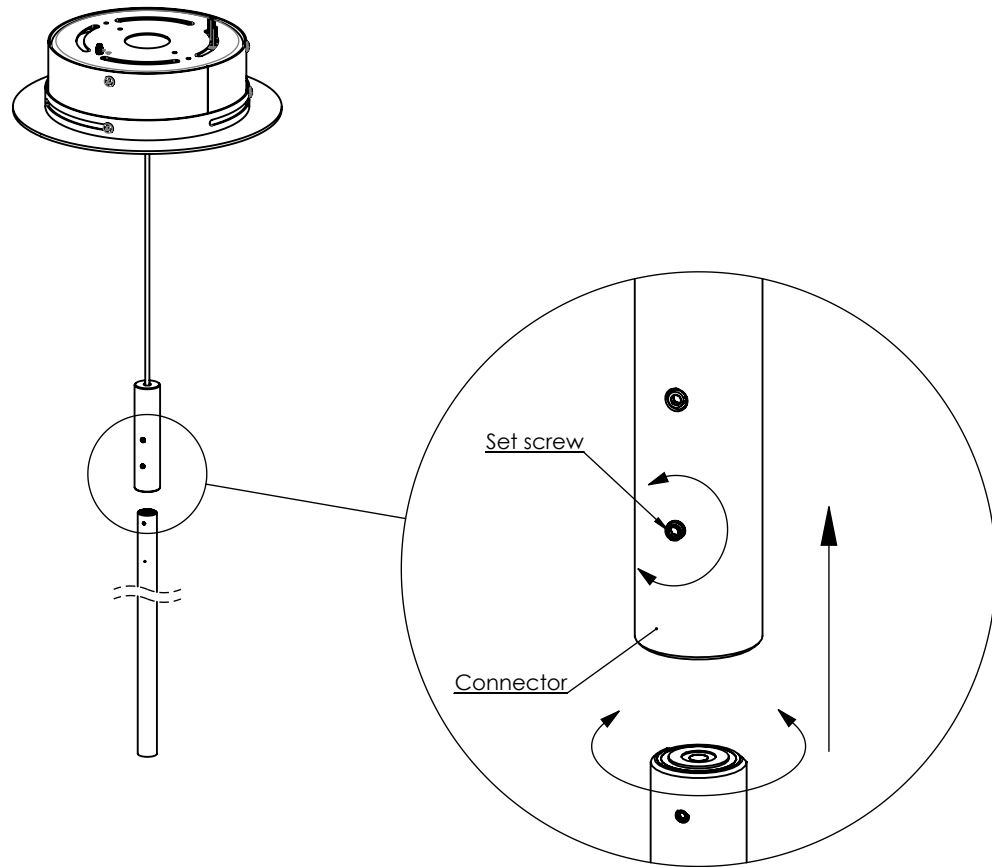


FIGURE10

- a. Loosen the set screw on the power sleeve as shown.
- b. Reconnect main power and insert light tube into the power sleeve. Push light tube in carefully until it illuminates.
- c. Rotate the light tube to change the direction of the light.
- d. Tighten the set screw on the power sleeve once the direction of light has been established.

CARE INSTRUCTIONS

Brass will patina over time like other natural metals and regular care is required in order to retain the quality finish of your THIN fixture for years to come.

Gently wipe with a damp cloth to remove dirt, dust, and fingerprints.

Do not use any chemical cleaning solution.

Use indoors only.