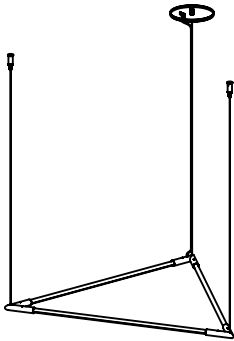
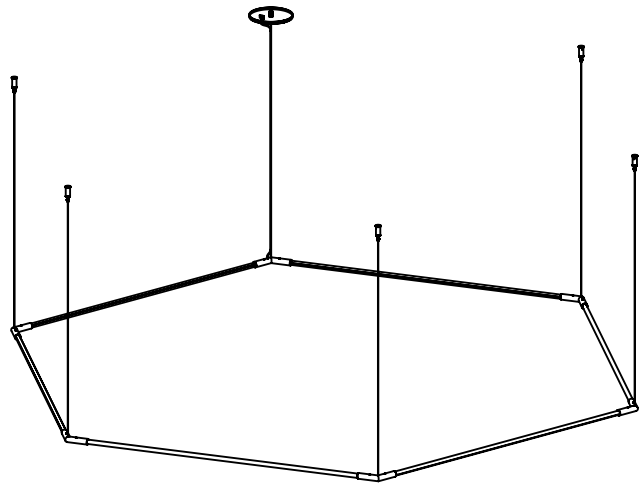


JUNIPER®

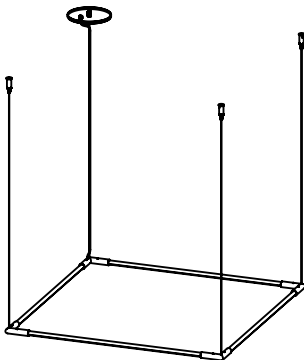
THIN Primaries Suspension Remote Installation Guide



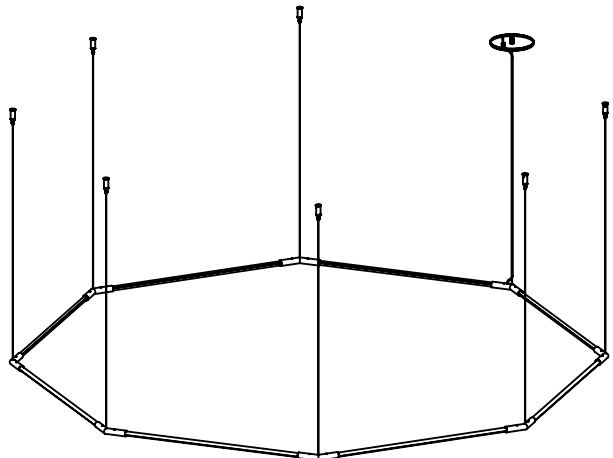
24" TRIANGLE



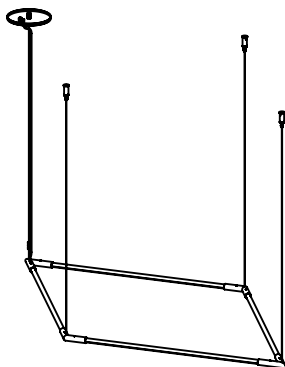
24" HEXAGON



24" SQUARE



24" OCTAGON



24" RHOMBUS

SHOWN ARE EXAMPLES OF CONFIGURATION POSSIBILITIES. SPECIFIC FIXTURE CONFIGURATION MAY VARY.

WARNING

A LICENSED ELECTRICIAN SHOULD PERFORM INSTALLATION. DISCONNECT MAIN POWER AT THE SOURCE PRIOR TO INSTALLATION.

INSTRUCTIONS MEANT FOR A REMOTE CLASS 2 DRIVER.

STEP 1: MARK MOUNTING POINTS

Carefully mark the mounting points with a pencil or marker, using the spacing in Figure 1. **It is highly recommended to use a laser alignment/ measuring tool to ensure that mounting parts are properly distanced.**

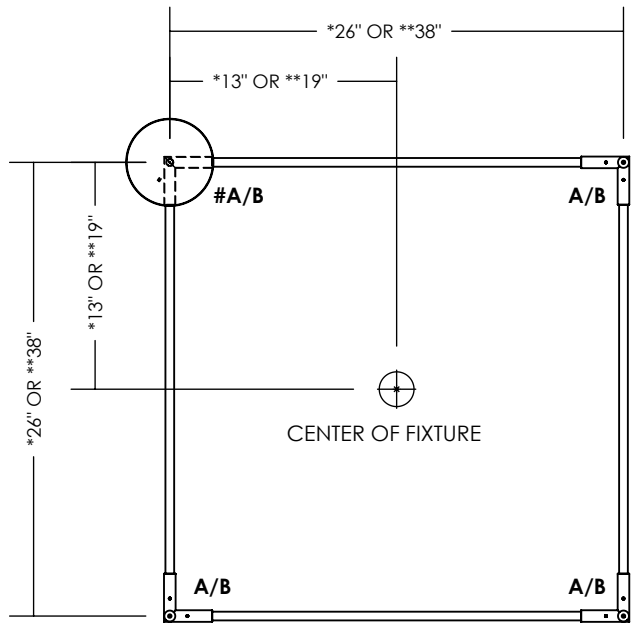


FIGURE 1

KEY

A POWER SLEEVE MOUNTED BENEATH CANOPY PLATE OR MINI MOUNTING PLATE (SEE POWER FEED OPTIONS).*

B PASSTHROUGH SLEEVE USED TO CONNECT SEGMENTS TOGETHER. MOUNTED AT ALL NON POWERED CORNERS OF THE FIXTURE.

Assumed as power sleeve. Mounting point measurements of all passthrough sleeves should be taken from power sleeve.

* FOR 24" LIGHT SEGMENTS

** FOR 36" LIGHT SEGMENTS

POWER FEED OPTIONS

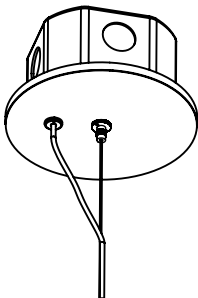


FIGURE 2

CANOPY PLATE

FOR FIXTURES WIRED TO A JUNCTION BOX.

SEE **STEP 2A** FOR DETAILED INSTALLATION AND WIRING INFORMATION.

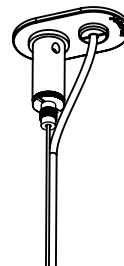


FIGURE 3

MINI MOUNTING PLATE

FOR IN-CEILING WIRING AND FIXTURES SUSPENDED FROM THE CEILING.

SEE **STEP 2B** FOR DETAILED INSTALLATION AND WIRING INFORMATION.

STEP 2A: JUNCTION BOX COVER PLATE INSTALLATION INSTRUCTIONS

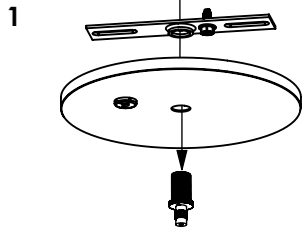


FIGURE 4

Remove gripper from the canopy cover to release the crossbar.

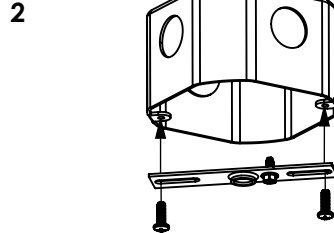


FIGURE 5

Attach the crossbar to the junction box using provided screws.

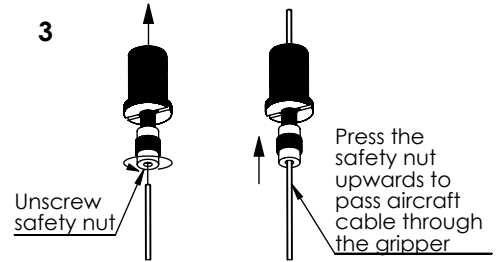


FIGURE 6

Partly loosen safety nut on cable gripper. Feed aircraft cable through the gripper. Do this for all aircraft cable ends.

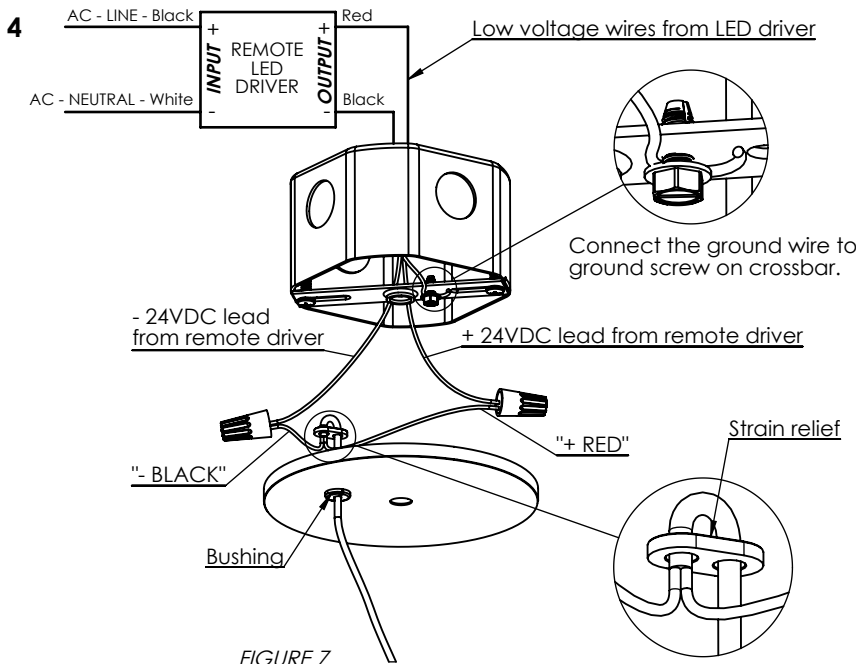


FIGURE 7

Pass power cable, through bushing and strain relief as shown. Connect wires according to diagram (wire nuts provided). **Length of power cord should be adjusted for desired suspension height. Wires to and from the driver are not provided.**

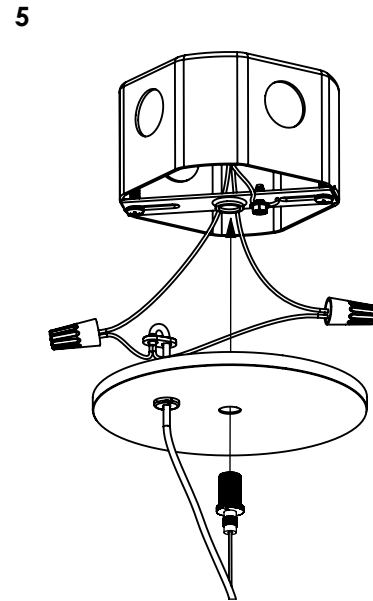


FIGURE 8

Place wires inside junction box and screw gripper into crossbar to attach canopy plate to junction box.

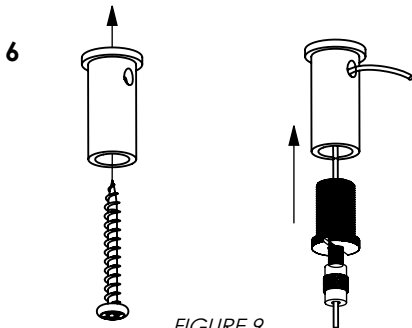


FIGURE 9

Install ceiling posts at all B and C mounting points using provided screws. Screw grippers into ceiling posts.

Woodscrews are provided for default installation. Alternate screws may be used at the recommendation of an electrician.

Use laser alignment/ measuring tool to ensure accurate placement of the ceiling post.

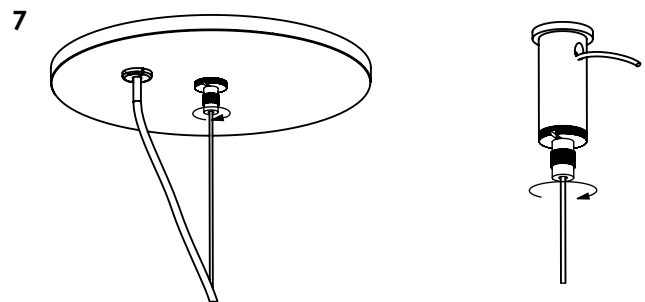


FIGURE 10

Adjust aircraft cable length as needed. Press safety nut on gripper to loosen aircraft cable. Tighten safety nut in completely when finished. **Do not cut extra aircraft cable until full fixture is assembled and desired suspension height is achieved.**

STEP 2B: MINI MOUNTING PLATE INSTALLATION INSTRUCTIONS

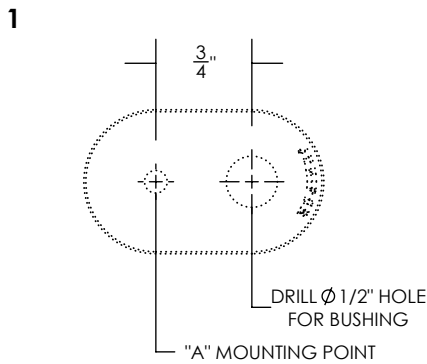


FIGURE 11

Drill hole for bushing according to diagram.

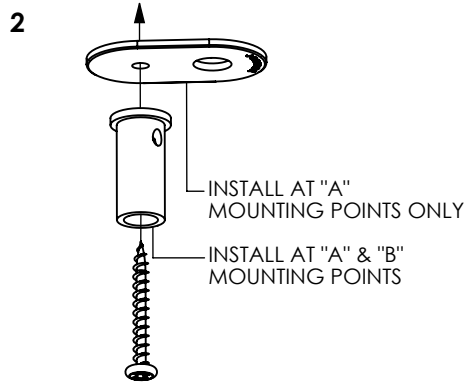


FIGURE 12

Install using provided screws according to diagram.

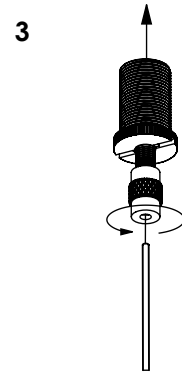


FIGURE 13

Partly unscrew safety nut on gripper and feed aircraft cables through.

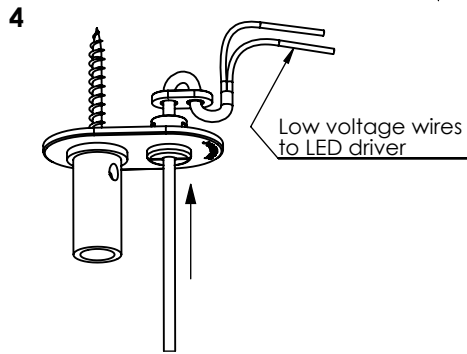


FIGURE 14

Pass power cord through bushing and connect to electrician-provided 18AWG in-wall rated cable (recommended).

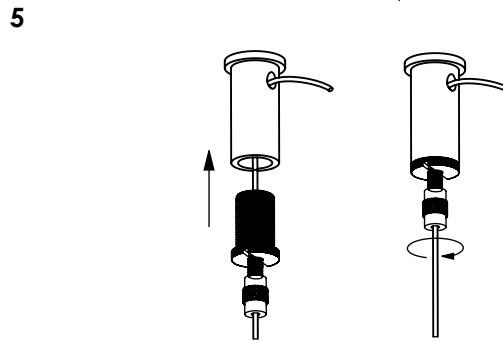


FIGURE 15

Screw grippers into ceiling posts. Adjust aircraft cable lengths as needed. Press safety nut on gripper to release aircraft cable. Tighten safety nut when finished. **Do not cut extra aircraft cable until fixture is fully assembled and desired suspension height is achieved.**

STEP 3: LIGHT TUBE INSTALLATIONS

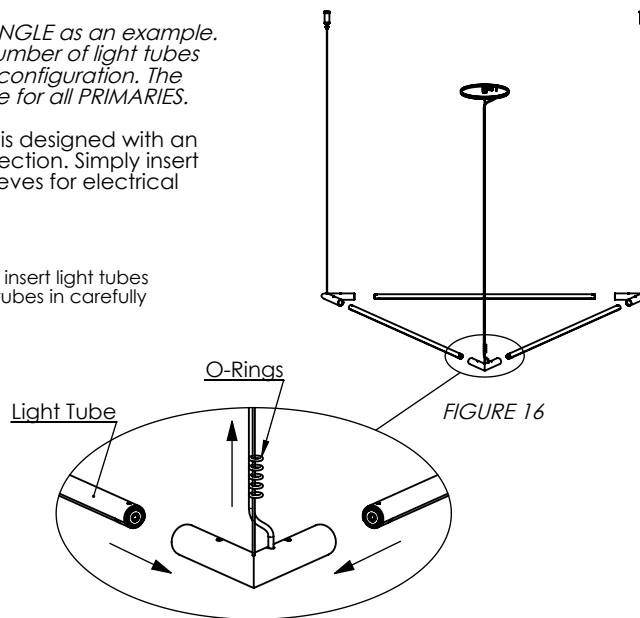
NOTE: Figure 16 shows TRIANGLE as an example. Please install the correct number of light tubes according to your fixture's configuration. The instructions below are same for all PRIMARIES.

The THIN Suspension fixture is designed with an innovative magnetic connection. Simply insert the light tubes into their sleeves for electrical contact to be made.

1. Reconnect main power and insert light tubes into the power end. Push light tubes in carefully until they illuminate.

2. Push following passthrough sleeve onto illuminated light tubes. Add light tubes and sleeves as needed according to your segment configuration.

3. Space the O-rings apart on the power sleeve along the length of the cable to constrain the power cord to aircraft cable.



CARE INSTRUCTIONS

Brass will patina over time like other natural metals and regular care is required in order to retain the quality finish of your THIN fixture for years to come.

Gently wipe with a damp cloth to remove dirt, dust, and fingerprints.

Do not use any chemical cleaning solution.

Use indoors only.