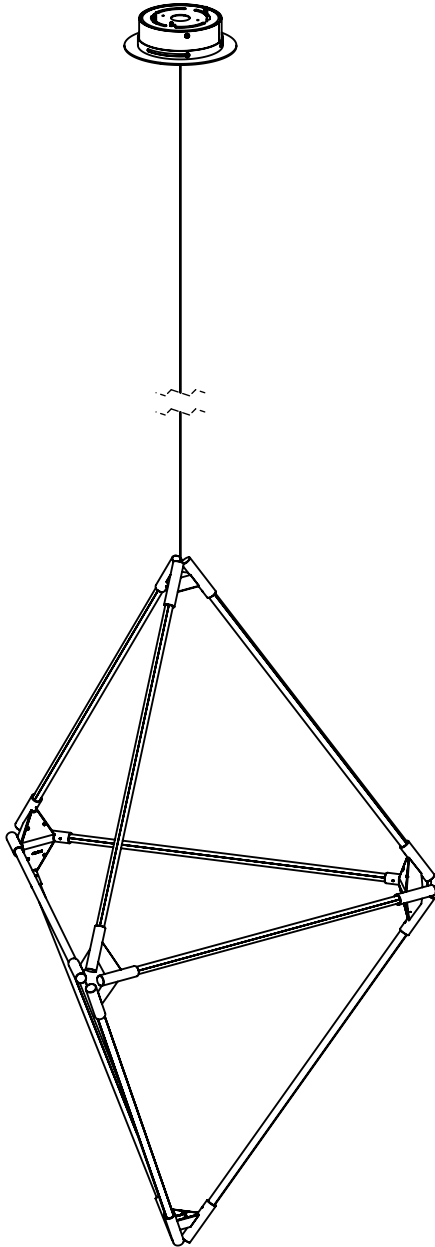
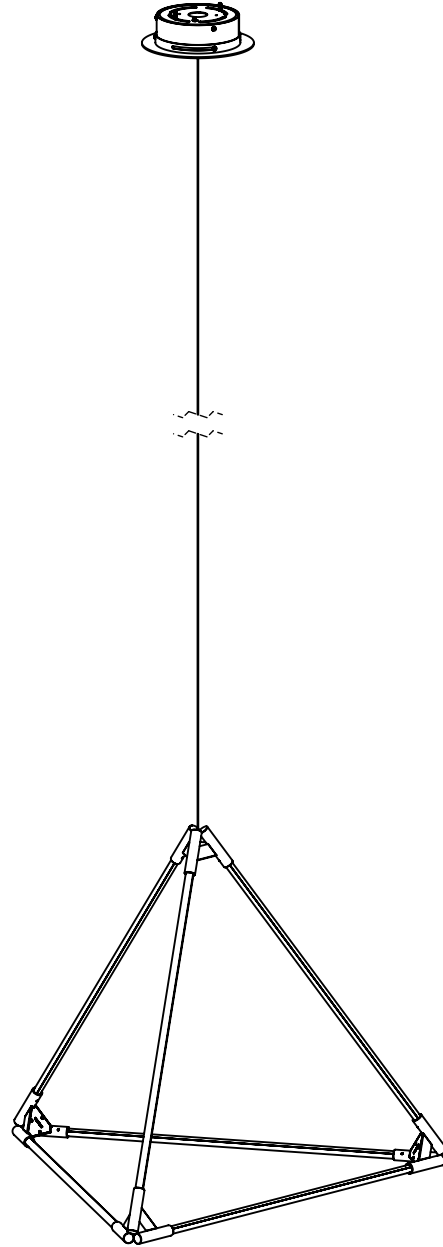


JUNIPER®

THIN Solids Suspension Local Installation Guide



24" DIAMOND



24" TETRAHEDRON

SHOWN ARE EXAMPLES OF CONFIGURATION POSSIBILITIES. SPECIFIC FIXTURE CONFIGURATION MAY VARY.

WARNING

**A LICENSED ELECTRICIAN SHOULD PERFORM INSTALLATION.
DISCONNECT MAIN POWER AT THE SOURCE PRIOR TO INSTALLATION.**

INSTRUCTIONS MEANT FOR A LOCAL CLASS 2 DRIVER.

STEP 1: LIGHT TUBE INSTALLATION

NOTE: Figure 1 shows TETAHEDRON as an example. Please install the correct number of light tubes according to your fixture's configuration. The instructions below are same for all SOLIDS.

1. Loosen the set screw on the connectors as shown
2. Insert Light tubes into the connectors as shown in FIGURE 1.
3. Tighten the set screw on the connector.

Do not suspend the fixture without tightening the set screws.

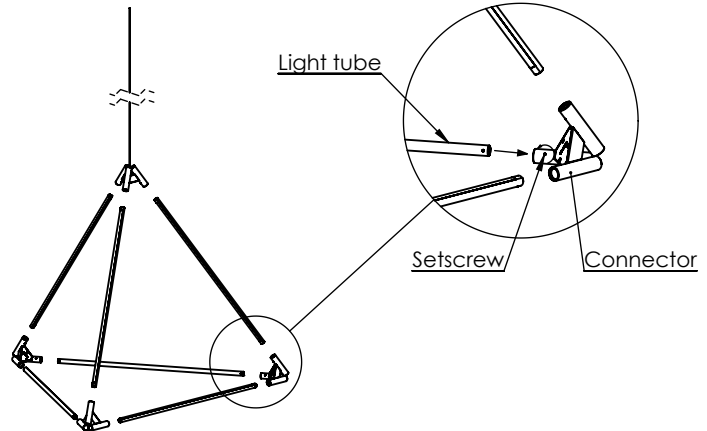


FIGURE 1

STEP 2: JUNCTION BOX COVER PLATE INSTALLATION INSTRUCTIONS

1

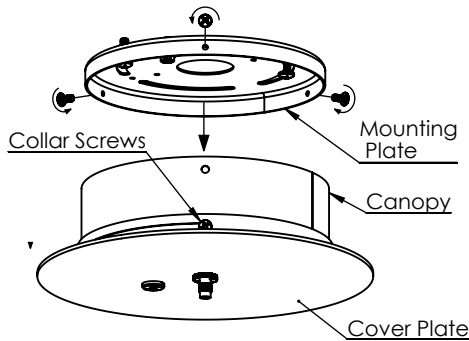


FIGURE 2

Remove screws from the canopy assembly to release the mounting plate. Cover plate can be rotated by loosening the collar screw.

2

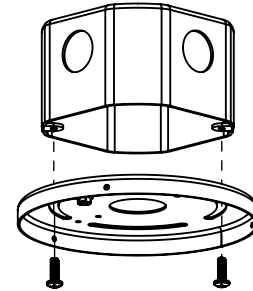


FIGURE 3

Attach the mounting plate to the junction box using provided screws.

3

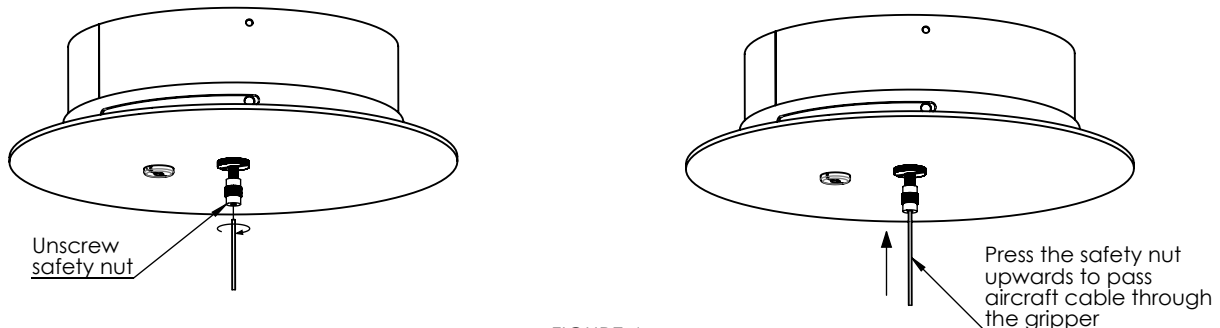


FIGURE 4

Partly loosen safety nut on cable gripper. Feed aircraft cable through the gripper. Press safety nut to adjust the length of aircraft cable. **Tighten safety nut after adjusting the aircraft cable.**

4

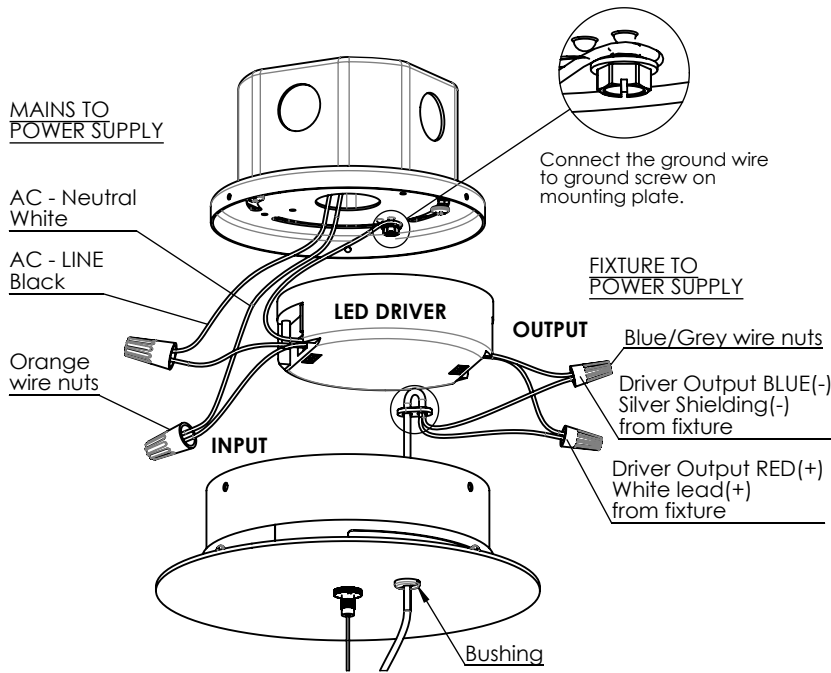


FIGURE 5

Pass power cable through bushing and strain relief as shown. Connect wires according to diagram (wire nuts provided). **AC Wires to the driver are not provided.**

5

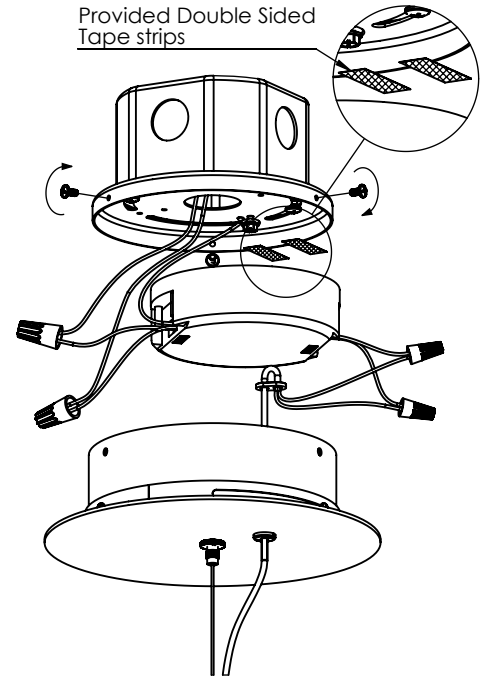
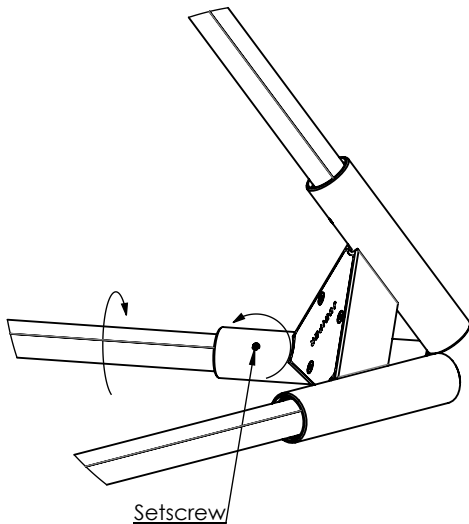


FIGURE 6

- A. Attach LED Driver to mounting plate using provided double-sided tape strips.
- B. Place wires inside canopy and attach the canopy to mounting plate using screws removed during first instruction.

STEP 3: ADJUSTING THE LIGHT TUBES

1. Loosen the set screw on the connectors as shown. **Do not loosen set screws on all connectors simultaneously. Adjust only one light tube at a time.**
2. Rotate the light tube to change the direction of the light.
3. Tighten the set screws on the connector.



CARE INSTRUCTIONS

Brass will patina over time like other natural metals and regular care is required in order to retain the quality finish of your THIN fixture for years to come.

Gently wipe with a damp cloth to remove dirt, dust, and fingerprints.

Do not use any chemical cleaning solution.

Use indoors only.