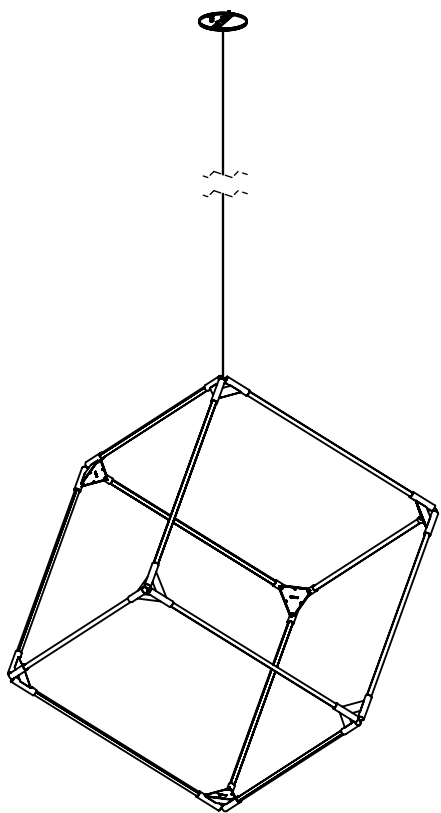


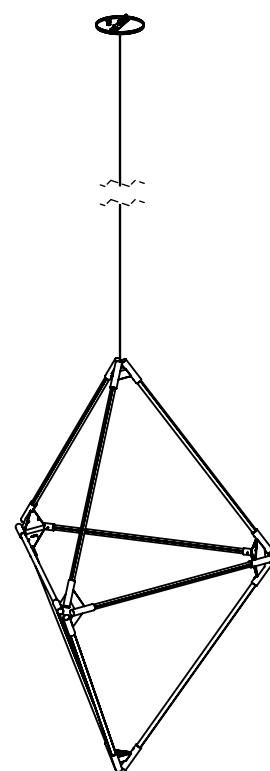
JUNIPER®

THIN Solids Suspension

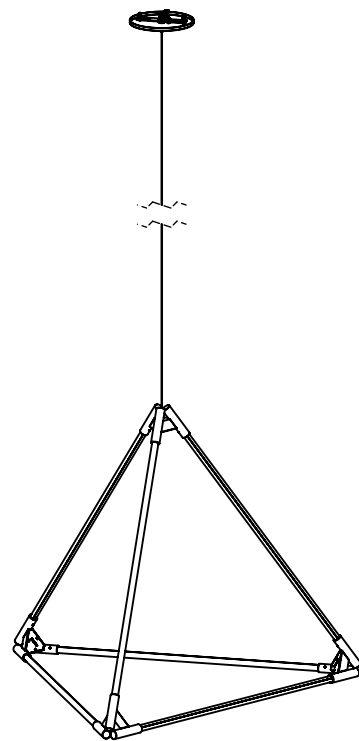
Remote Installation Guide



24" CUBE



24" DIAMOND



24" TETRAHEDRON

SHOWN ARE EXAMPLES OF CONFIGURATION POSSIBILITIES. SPECIFIC FIXTURE CONFIGURATION MAY VARY.

WARNING

**A LICENSED ELECTRICIAN SHOULD PERFORM INSTALLATION.
DISCONNECT MAIN POWER AT THE SOURCE PRIOR TO INSTALLATION.**

INSTRUCTIONS MEANT FOR A REMOTE CLASS 2 DRIVER.

POWER FEED OPTIONS

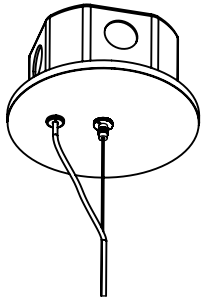


FIGURE 1

CANOPY PLATE

FOR FIXTURES WIRED TO A JUNCTION BOX.

SEE **STEP 2A** FOR DETAILED INSTALLATION AND WIRING INFORMATION.

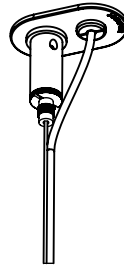


FIGURE 2

MINI MOUNTING PLATE

FOR IN-CEILING WIRING AND FIXTURES SUSPENDED FROM THE CEILING.

SEE **STEP 2B** FOR DETAILED INSTALLATION AND WIRING INFORMATION.

STEP 1: LIGHT TUBE INSTALLATION

NOTE: Figure 3 shows TETAHEDRON as an example. Please install the correct number of light tubes according to your fixture's configuration. The instructions below are same for all SOLIDS.

1. Loosen the set screw on the connectors as shown
2. Insert Light tubes into the connectors as shown in FIGURE 3.
3. Tighten the set screw on the connector.

Do not suspend the fixture without tightening the set screws.

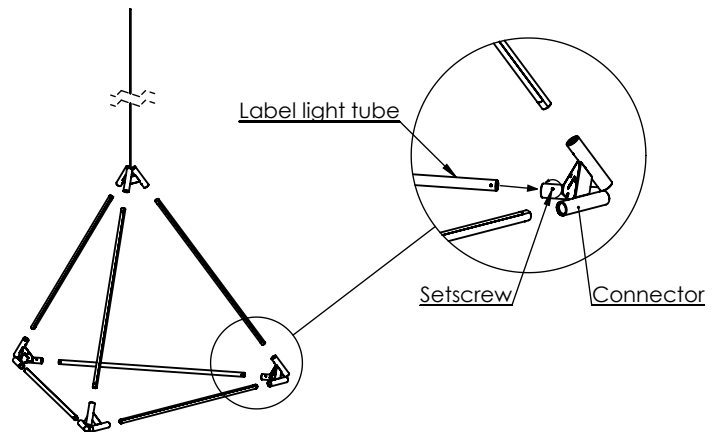


FIGURE 3

STEP 3A: JUNCTION BOX COVER PLATE INSTALLATION INSTRUCTIONS

1

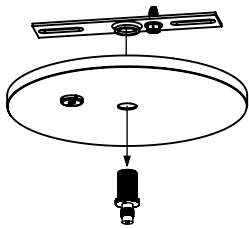


FIGURE 4

Remove gripper from the canopy cover to release the crossbar.

2

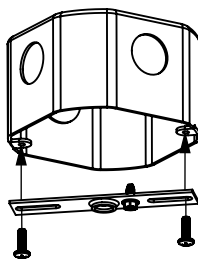


FIGURE 5

Attach the crossbar to the junction box using provided screws.

3

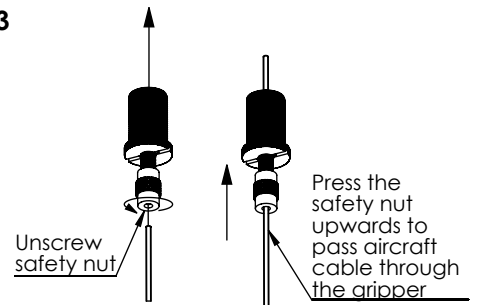


FIGURE 6

Partly loosen safety nut on cable gripper. Feed aircraft cable through the gripper.

4

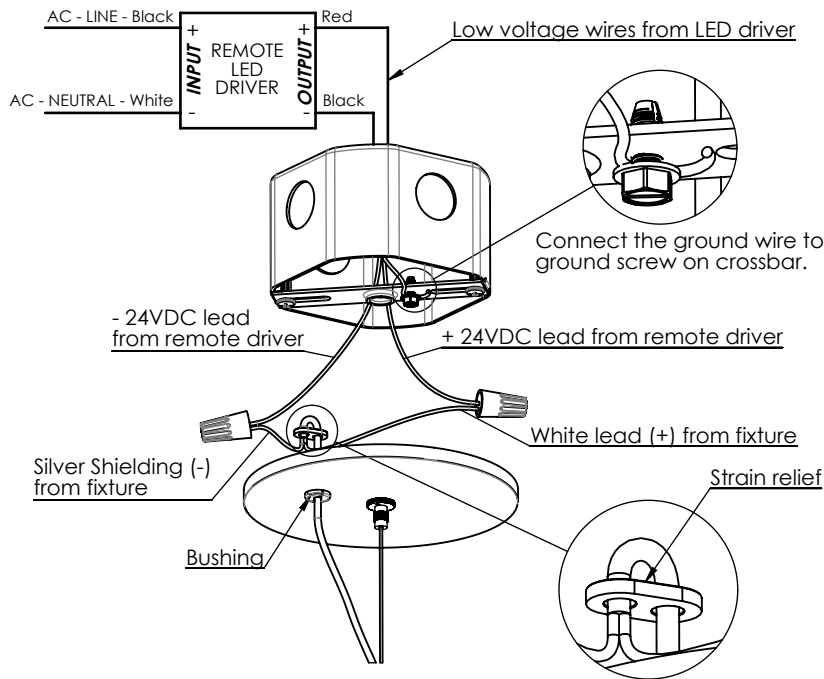


FIGURE 7

Pass power cable, through bushing and strain relief as shown. Connect wires according to diagram (wire nuts provided). **Length of power cord should be adjusted for desired suspension height. Wires to and from the driver are not provided.**

5

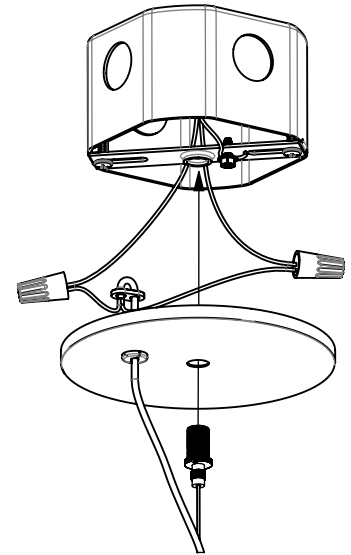


FIGURE 8

Place wires inside junction box and screw gripper into crossbar to attach canopy plate to junction box.

6

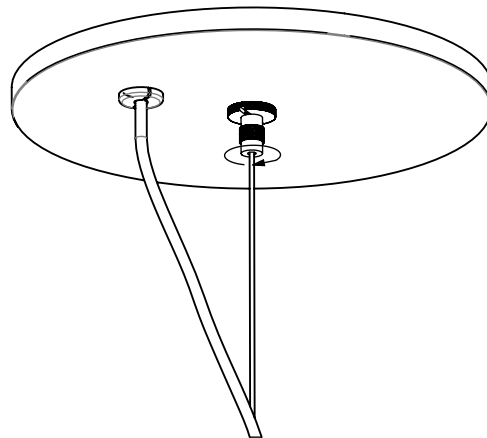


FIGURE 9

Adjust aircraft cable length as needed. Press safety nut on gripper to loosen aircraft cable. Tighten safety nut in completely when finished. **Do not cut extra aircraft cable until full fixture is assembled and desired suspension height is achieved.**

STEP 2B: MINI MOUNTING PLATE INSTALLATION INSTRUCTIONS

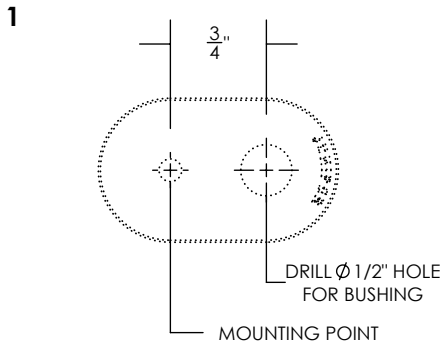


FIGURE 10

Drill hole for bushing according to diagram.

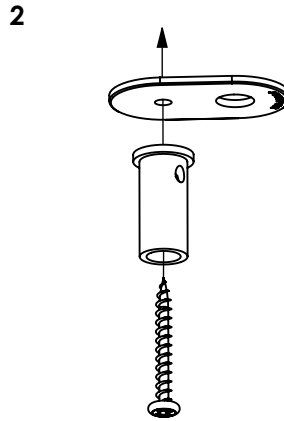


FIGURE 11

Install using provided screws according to diagram.

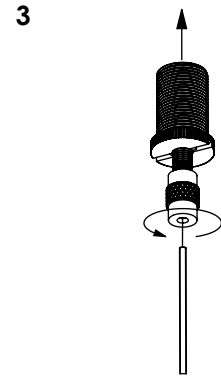


FIGURE 12

Partly unscrew safety nut on gripper and feed aircraft cables through.

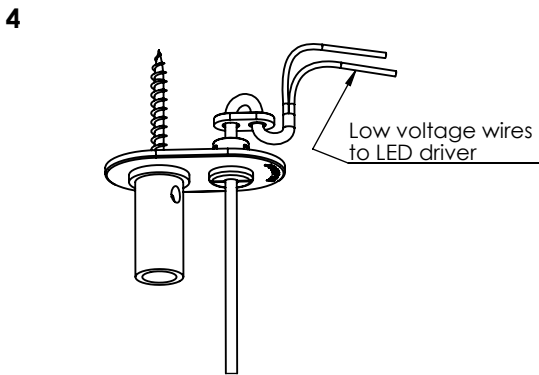


FIGURE 13

Pass power cord through bushing and connect to electrician-provided 18AWG in-wall rated cable (recommended).

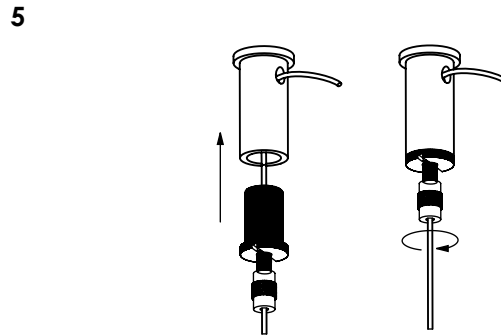
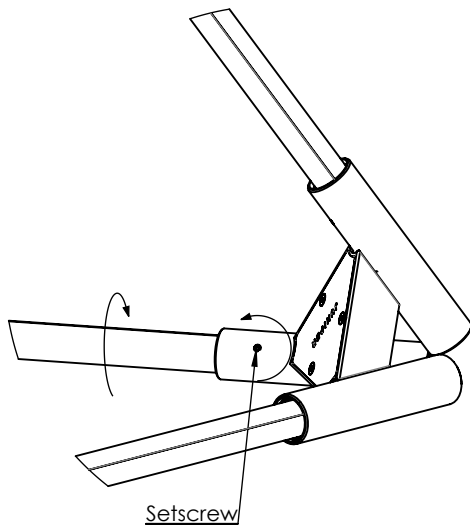


FIGURE 14

Screw grippers into ceiling posts. Adjust aircraft cable lengths as needed. Press safety nut on gripper to release aircraft cable. Tighten safety nut when finished. **Do not cut extra aircraft cable until fixture is fully assembled and desired suspension height is achieved.**

STEP 3: ADJUSTING THE LIGHT TUBES

1. Loosen the set screw on the connectors as shown
Do not loosen set screws on all connectors simultaneously. Adjust only one light tube at a time.
2. Rotate the light tube to change the direction of the light.
3. Tighten the set screws on the connector.



CARE INSTRUCTIONS

Brass will patina over time like other natural metals and regular care is required in order to retain the quality finish of your THIN fixture for years to come.

Gently wipe with a damp cloth to remove dirt, dust, and fingerprints.

Do not use any chemical cleaning solution.

Use indoors only.