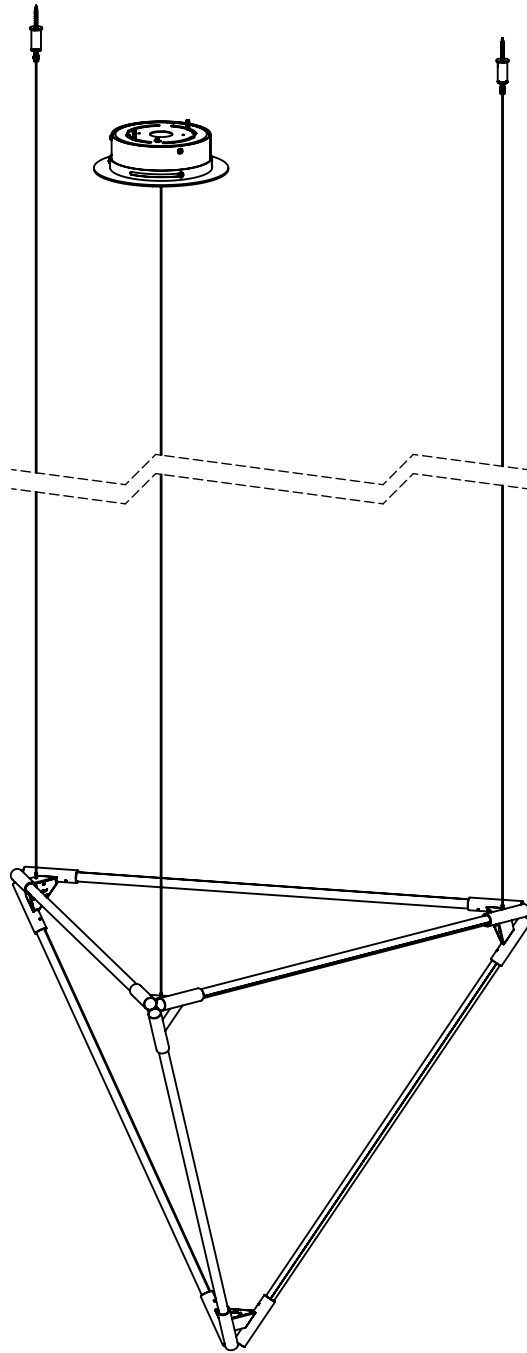


JUNIPER®

THIN Solids Suspension

Local Installation Guide



24" TETRAHEDRON

SHOWN ARE EXAMPLES OF CONFIGURATION POSSIBILITIES. SPECIFIC FIXTURE CONFIGURATION MAY VARY.

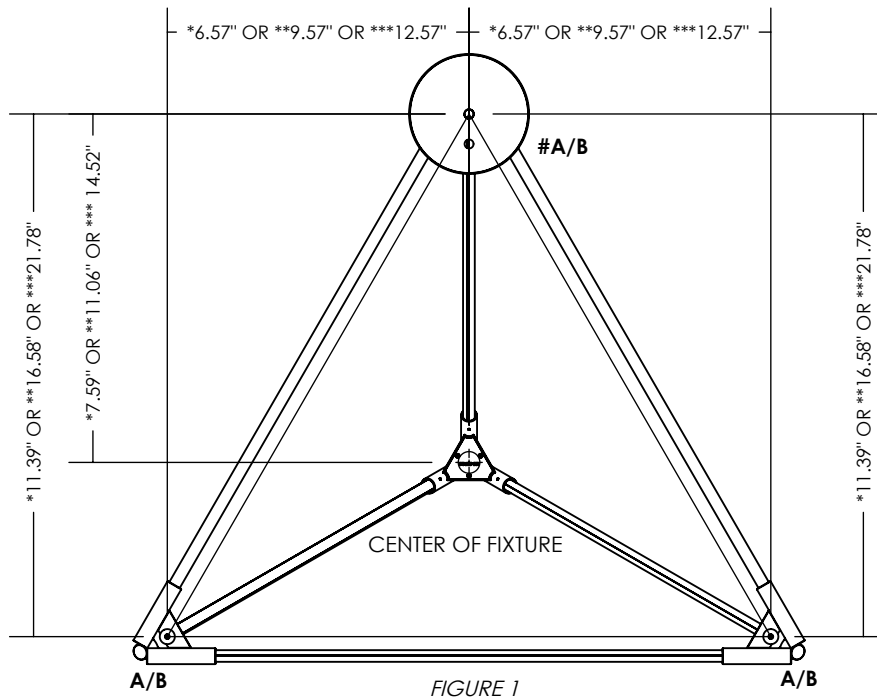
WARNING

**A LICENSED ELECTRICIAN SHOULD PERFORM INSTALLATION.
DISCONNECT MAIN POWER AT THE SOURCE PRIOR TO INSTALLATION.**

INSTRUCTIONS MEANT FOR A LOCAL CLASS 2 DRIVER.

STEP 1: MARK MOUNTING POINTS

Carefully mark the mounting points with a pencil or marker, using the spacing in Figure 1. **It is highly recommended to use a laser alignment/ measuring tool to ensure that mounting parts are properly distanced.**



KEY

- A POWER SLEEVE** MOUNTED BENEATH CANOPY PLATE OR MINI MOUNTING PLATE (SEE POWER FEED OPTIONS).
- B PASSTHROUGH SLEEVE** USED TO CONNECT SEGMENTS TOGETHER. MOUNTED AT ALL NON POWERED CORNERS OF THE FIXTURE.
- # Assumed as power sleeve. Mounting point measurements of all passthrough sleeves should be taken from power sleeve.
- * FOR 12" LIGHT SEGMENTS
- ** FOR 18" LIGHT SEGMENTS
- *** FOR 24" LIGHT SEGMENTS

STEP 2: LIGHT TUBE INSTALLATION

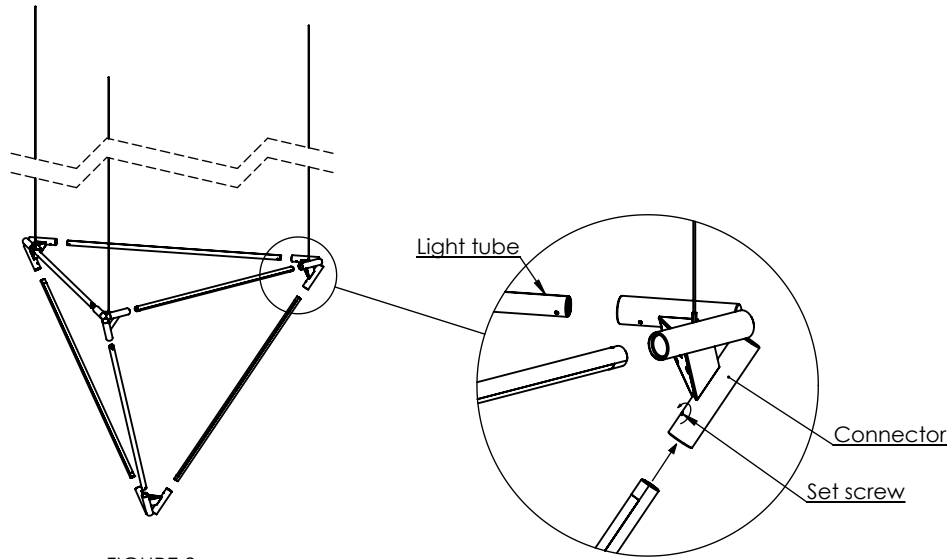


FIGURE 2

1. Loosen the set screw on the connectors as shown
2. Insert Light tubes into the connectors as shown in FIGURE 2.
3. Tighten the set screw on the connector.

Do not suspend the fixture without tightening the set screws.

STEP 3: JUNCTION BOX COVER PLATE INSTALLATION INSTRUCTIONS

1

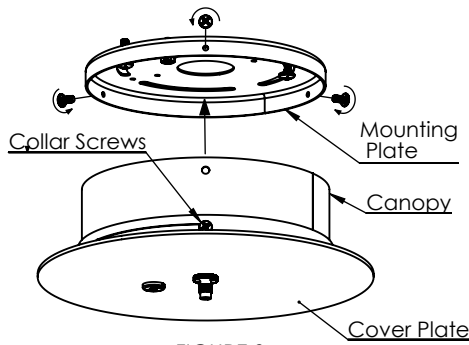


FIGURE 3

Remove screws from the canopy assembly to release the mounting plate. Cover plate can be rotated by loosening the collar screw.

2

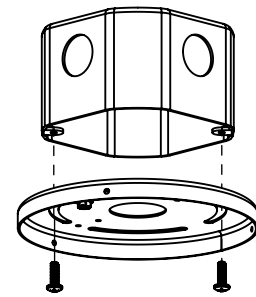


FIGURE 4

Attach the mounting plate to the junction box using provided screws.

3

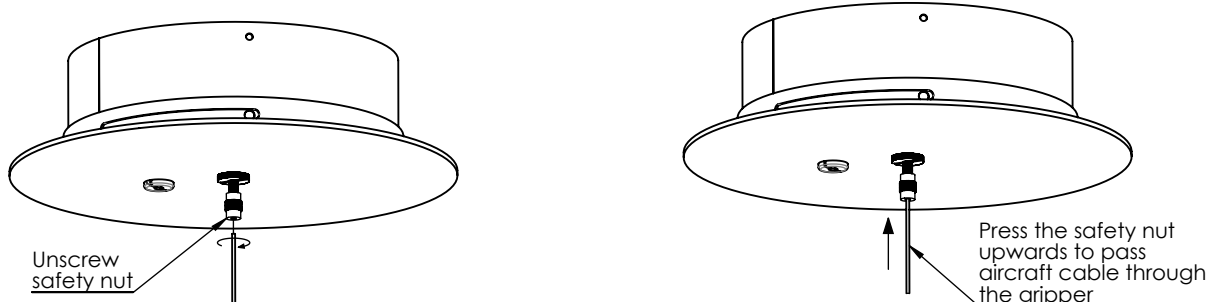


FIGURE 5

Partly loosen safety nut on cable gripper. Feed aircraft cable through the gripper. Press safety nut to adjust the length of aircraft cable. **Tighten safety nut after adjusting the aircraft cable.**

4

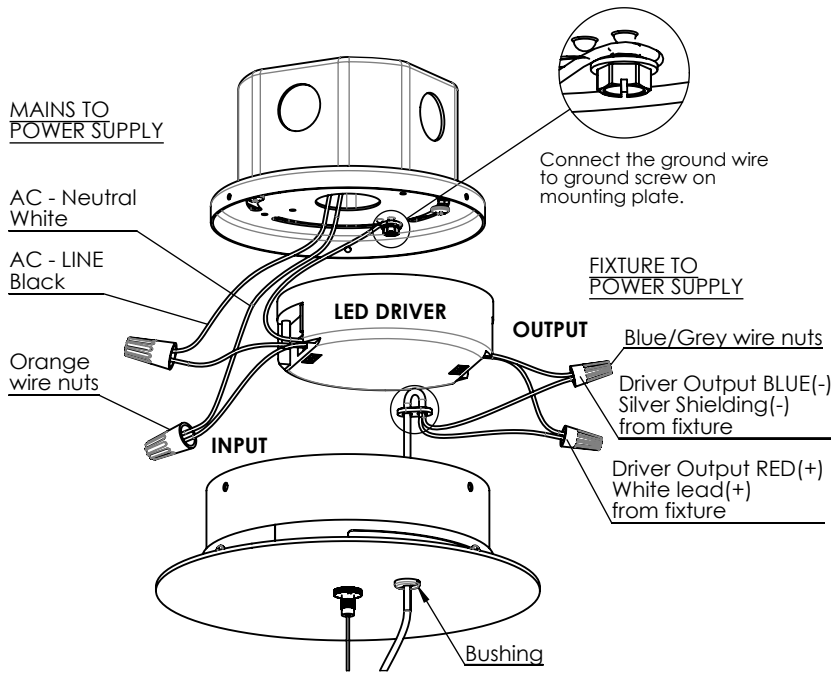


FIGURE 6

Pass power cable through bushing and strain relief as shown. Connect wires according to diagram (wire nuts provided). **AC Wires to the driver are not provided.**

5

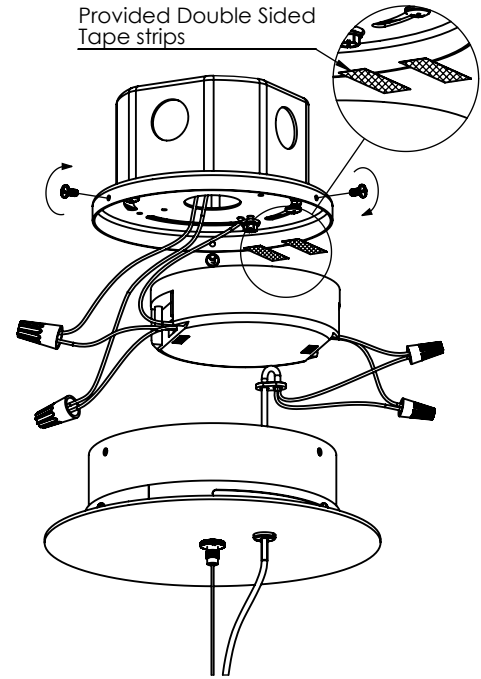


FIGURE 7

A. Attach LED Driver to mounting plate using provided double-sided tape strips.
 B. Place wires inside canopy and attach the canopy to mounting plate using screws removed during first instruction.

6

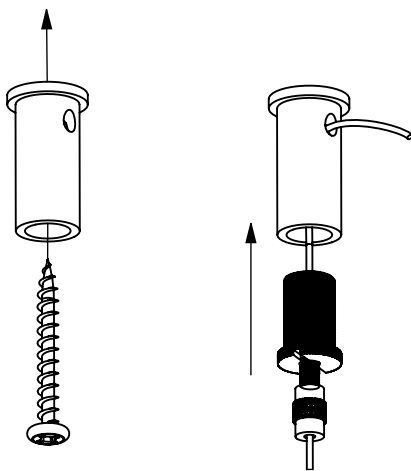


FIGURE 8

Install ceiling posts at all B mounting points using provided screws. Screw grippers into ceiling posts.

Woodscrews are provided for default installation. Alternate screws may be used at the recommendation of an electrician.

Use laser alignment/ measuring tool to ensure accurate placement of the ceiling post.

7

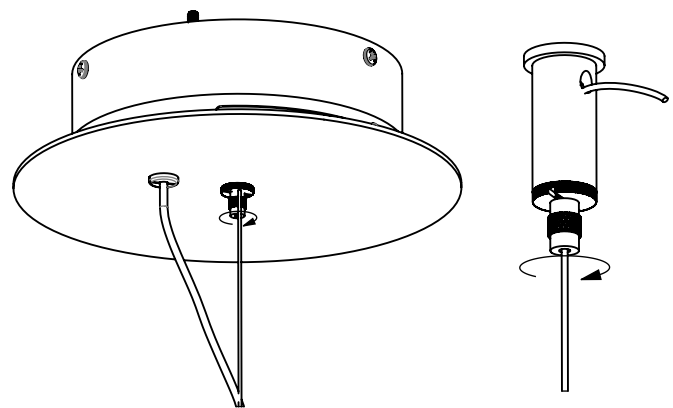
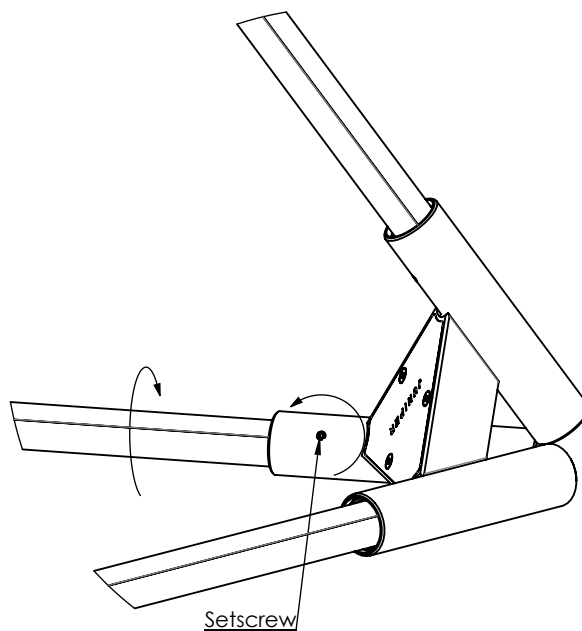


FIGURE 9

Adjust aircraft cable length as needed. Press safety nut on gripper to loosen aircraft cable. Tighten safety nut in completely when finished. **Do not cut extra aircraft cable until full fixture is assembled and desired suspension height is achieved.**

STEP 4: ADJUSTING THE LIGHT TUBES



1. Loosen the set screw on the connectors as shown
Do not loosen set screws on all connectors simultaneously. Adjust only one light tube at a time.
2. Rotate the light tube to change the direction of the light.
3. Tighten the set screws on the connector.

CARE INSTRUCTIONS

Brass will patina over time like other natural metals and regular care is required in order to retain the quality finish of your THIN fixture for years to come.

Gently wipe with a damp cloth to remove dirt, dust, and fingerprints.

Do not use any chemical cleaning solution.

Use indoors only.